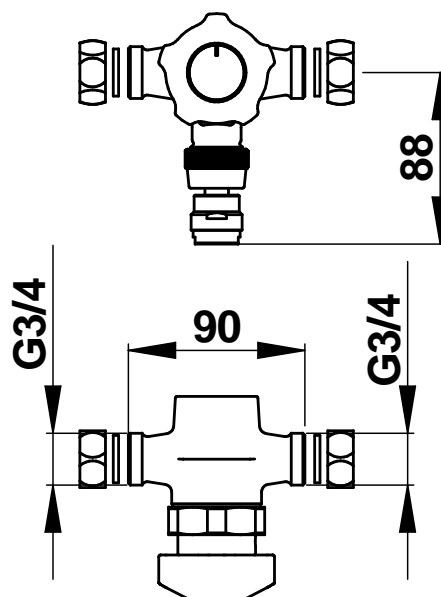


**Range:** PRESTO 3500

**Ref:** 35912 - Single control wall-mounted mixer tap - Directional flow straightener



#### > Working pressure :

- 1 to 5 bar

#### > Flow :

- 3 l/min with integrated flow limiter
- Anti-water-hammering design
- Vandal-proof directional flow straightener

#### > Flow time :

- 15 seconds (± 5 sec.)

#### > Hydraulic supply :

- M G 3/4" (20x27)
- NF Check valves

#### > Material and colour finish :

- Black push-button

#### > Thermal resistance :

- Resistant to a temperature of 75°C for 30-minute-thermal-shocks

#### > Security :

- Adjustable tamper-proof temperature limiter to prevent scalding

#### > Delivered with :

- 2 Filter gaskets
- 2 connector nuts 3/4" (20x27)
- Instruction manual

#### > Standards & approvals :

- Acoustic class I
- Brass body in accordance with EN 1982, EN 12164, EN 12156
- Molded chrome-plated body in accordance with EN 12540
- 200-hour neutral salt spray resistant (NSS) in accordance with ISO 9227

