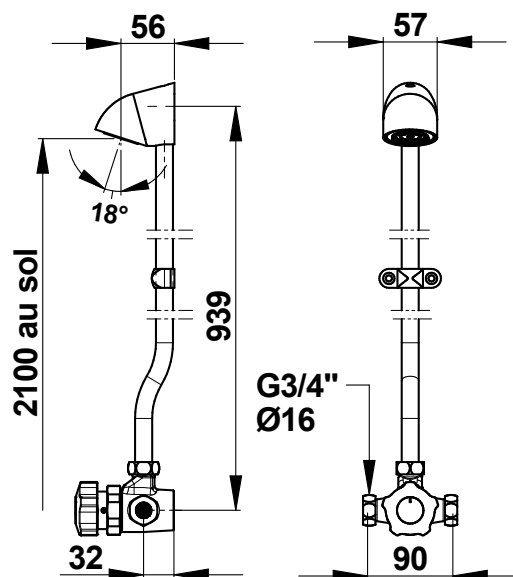


Range: PRESTO ALPA - Timed flow mixer tap for shower

Ref: 35921 - Ready -to-install PRESTO ALPA mixer tap



> Working pressure :

- 1 to 5 bar

> Flow :

- 6 l/min with integrated flow regulator
- Anti-water-hammering device

> Flow time :

- 30 seconds (- 10 / + 5 seconds)

> Hydraulic supply :

- M G 3/4" (20x27)
- On ALPA NF /IB mixer tap with NF check valves

> Material and colour finish :

- Black polyacetal knob

> Thermal resistance :

- Resistant to a temperature of 75°C for 30-minute-thermal-shock

> Security :

- Adjustable tamper-proof temperature limiter to prevent scalding

> Delivered with :

- 1 fixed shower head with directionnal grid and antiscala spikes, tube and collar
- 2 Filter gaskets
- 2 Union nuts 3/4" (20x27)

> Standards & approvals :

- Brass body in accordance with EN 1982, EN 12164, EN 12156
- Molded chrome-plated body in accordance with EN 12540
- 200-hour neutral salt spray resistant (NSS) in accordance with ISO 9227

