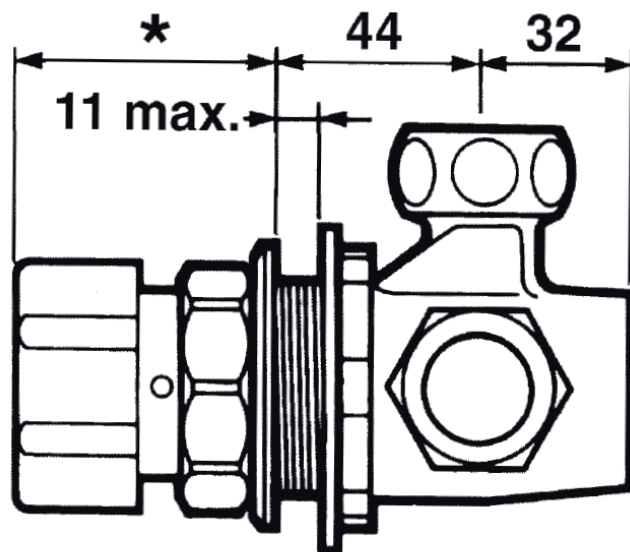


Range: ALPA

Ref: 35936 - ALPA Shower Mixer - Panel Mounting



#### > Working pressure :

- 1 to 5 bar

#### > Flow :

- 8 l/min with integrated flow limiter
- Anti-water-hammering design

#### > Flow time :

- 30 seconds (- 10 / + 5 seconds)

#### > Hydraulic supply :

- M G 3/4" (20x27)
- Integrated NF check valve

#### > Material and colour finish :

- Chrome-plated knob

#### > Thermal resistance :

- Resistant to a temperature of 75°C for 30-minute-thermal-shocks

#### > Security :

- -Anti-brûlure : limitation de la température maximale par butée réglable

#### > Delivered with :

- 2 Filter gaskets
- 3 Union nuts 3/4" (20x27)
- 1 Rosace de finition pour montage sur panneau
- Instruction manual

#### > Standards & approvals :

- Acoustic class IB
- Brass body in accordance with EN 1982, EN 12164, EN 12156
- Molded chrome-plated body in accordance with EN 12540
- 200-hour neutral salt spray resistant (NSS) in accordance with ISO 9227

