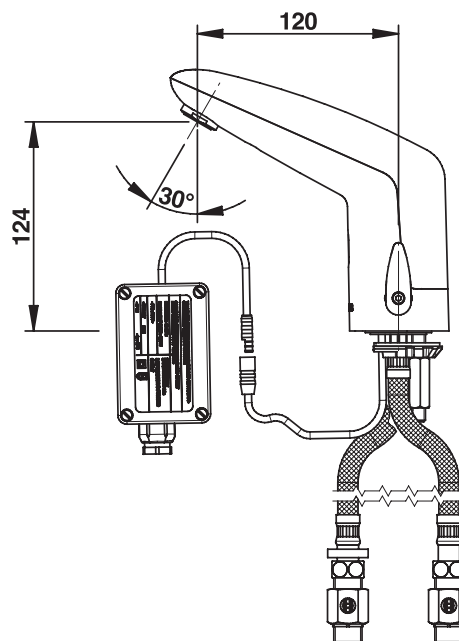


**Range:** PRESTO VOLTA®

**Ref:** 55152 - Deck-mounted mixer sensor tap for washbasin, adapted for healthcare



#### > Working pressure :

- 1 to 5 bar

#### > Operation:

- Starts and stops automatically by hand detection
- Sensor trigger suitable for PRM, elderly, children and disabled people

#### > Flow :

- 6l/min with regulated star-shaped flow straightener (to limit biofilm fixation)
- Anti-water-hammering design

#### > Hydraulic supply :

- F G 3/8" (12x17) hoses

#### > Power supply :

- Mains with 230 V AC / 7 V DC transformer in IP65 waterproof case

#### > Material and colour finish :

- Injected molded metal body and cover, chrome finish

#### > Thermal resistance :

- Resistant to a temperature of 75°C for 30-minute-thermal-shocks

#### > Security :

- Anti-overflow security time set to 30 seconds preventing the water to flow continuously
- Automatic shutdown of solenoid valve in case of power failure or sensor damage
- Hygienic duty flush of 30 sec every 72h after last use
- Maximum temperature limitation with adjustable temperature stop

#### > Delivered with :

- 1 Brass clamping nut
- 1 Gasket and 1 Washer
- 2 PEX Hoses with revolving nuts and NF check valves
- 2 MM G 3/8" (12x17) Stop valves
- 2 Filter gaskets
- 1 Self-adhesive sticker
- 1 Instruction manual

#### > Standards & approvals :

- Molded chrome-plated body in accordance with EN 12540
- 200-hour neutral salt spray resistant (NSS) in accordance with ISO 9227

