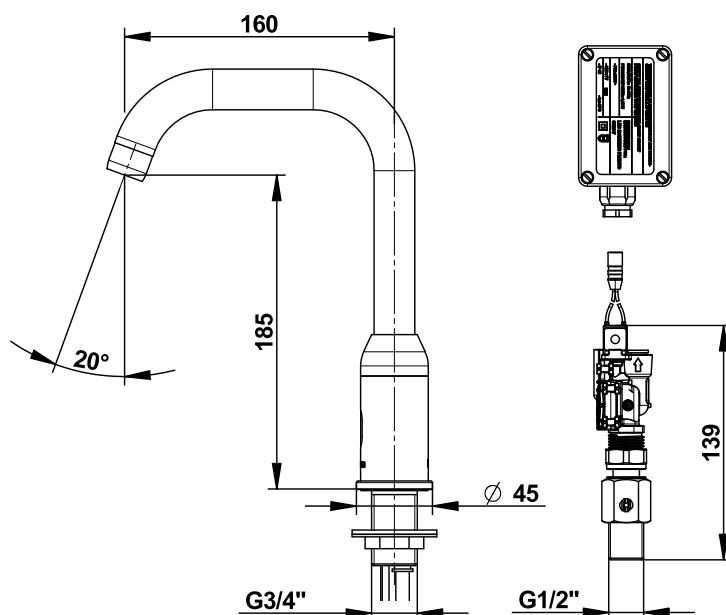


Range: SENSAO 6000

Ref: 55450 - Single deck-mounted sensor tap - Main operated



> Working pressure :

- 1 to 5 bar

> Function:

- Sensor trigger suitable for persons with reduced mobility, children and the elderly

> Flow :

- 8 l/min with integrated flow limiter
- High quality anti-limescale aerator
- Anti-water-hammering design

> Hydraulic supply :

- M G 1/2" (15x21) for cold, hot or pre-mixed water

> Power supply :

- 230 VAC/7 VDC transformer in IP65 waterproof case

> Material and colour finish :

- Injected molded metal body and cover
- Fixed spout

> Thermal resistance :

- Resistant to a temperature of 75°C for 30-minute-thermal-shocks

> Security :

- Anti-overflow security time set to 30 seconds preventing the water to flow continuously
- Automatic shutdown of solenoid valve in case of power failure or sensor error
- Duty flush 30 sec every 24h after last use (adjustable flow time and frequency with PRESTOCOM)

> Delivered with :

- 1 Brass clamping nut
- 1 Gasket and 1 Washer
- 1 hose, 1 solenoid 1/2" (15x21)
- 1 stop valve+ filter gasket
- 1 Self-adhesive sticker

> Standards & approvals :

- Brass body in accordance with EN 1982, EN 12164, EN 12165
- 200-hour neutral salt spray resistant (NSS) in accordance with ISO 9227

