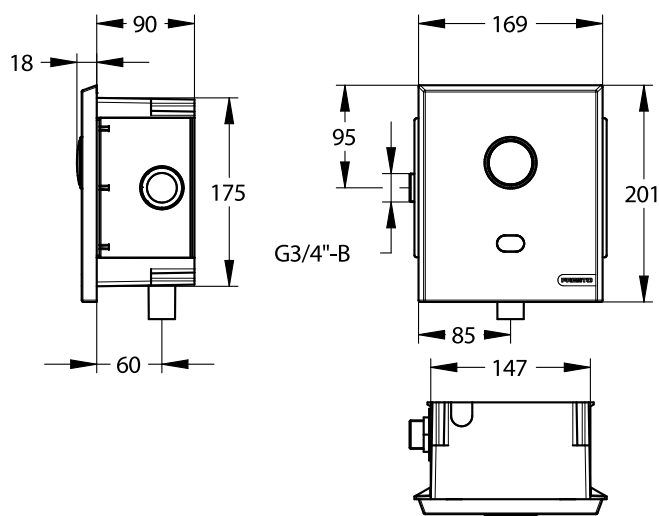


Range: Concealed sensor flush valve

Ref: 55476 - PRESTO 7100 XL N, mains power, black matte finishing



> Working pressure:

- 1 to 5 bar

> Volume of water delivered (adjustable on request through PRESTO setting tool):

- Small volume: 4 L (+/- 1 L) Adjustable from 2 to 6 L at 2,5 bar
- Large volume: 6 L (+/- 1 L) Adjustable from 4 to 9 L at 2,5 bar
- Volume preset at +/- 1,5 L on pressure range from 1,2 to 4 bar
- Anti-water-hammering device
- Automatic 1 l/s flow limiter, from 1.2 to 4 bar dynamic working pressure

> Operation :

- Double flush volume automatic detection depending on the time of user presence (4/6 L - short/long detection)
- By pass manual 6 L push button (flush can be activated in case of power failure)

> Power supply :

- With mains 7V via 12V / 24V AC or DC. Compatible with 230 V AC / 12 V AC transformer not included (See Ref. 90464 / 90711/ 90610 / 90685 / 90704 / 90686).

> Hydraulic supply :

- On PRESTO 1000 XL tap with 3/4" (20x27) integrated stop valve
- Outlet connection on flush pipe Ø 28 mm

> Material and colour finish :

- Bright brass body and stop valve
- Anti-vandal stainless steel front plate with matte black coating and pink gold PVD button

> Security :

- Vacuum breaker device prevents the contamination of the water network from polluted water backflow
- Patented anti-blocking "S" system to avoid the water to flow continuously
- The solenoid valve will be closed automatically in case of low battery or any damage of detector

> Delivered with :

- 1 concealed box
- 1 integrated stop valve
- Instruction manual

> Standards & approvals :

- Brass body in accordance with EN 1982, EN 12164, EN 12165
- 200-hour neutral salt spray resistant (NSS) in accordance with ISO 9227

