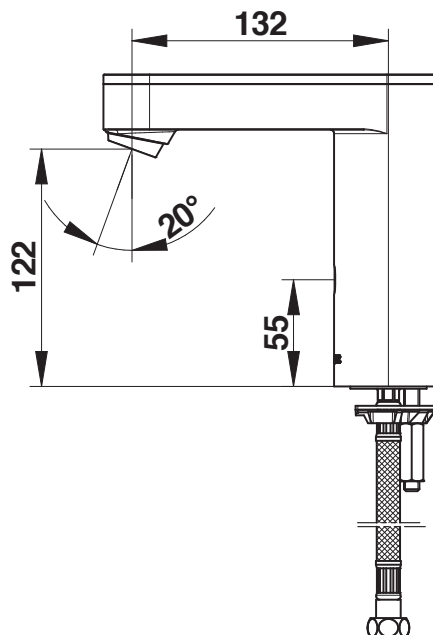


**Range:** Single deck-mounted sensor tap

**Ref:** 56224 - PRESTO SO'O



**> Working pressure :**

- 1 to 5 bar

**> Flow :**

- 3 l/min with integrated flow limiter
- High quality anti-limescale aerator (new aerator since June 2016)
- Anti-water-hammering design

**> Hydraulic supply :**

- G 3/8" (12x17)

**> Power supply :**

- 6 V lithium battery (CRP2 type) in a casing placed within the tap body

**> Material and colour finish :**

- Chrome-plated metal alloy components
- Injected molded metal body and cover

**> Thermal resistance :**

- Resistant to a temperature of 75°C for 30-minute-thermal-shocks

**> Security :**

- Anti-overflow security time: 30 seconds
- Anti-blocking system preventing the water to flow continuously
- Solenoid valve automatically shut down in case of power shortage or in case of sensor degradation

**> Delivered with :**

- Instruction manual
- 2 Fastening nuts
- 1 Gasket and 1 Washer
- PEX flexible hoses with F 3/8" nut (12x17) and NF non-return valve
- Filter gasket

**> Standards & approvals :**

- Molded chrome-plated body in accordance with EN 12540
- 200-hour neutral salt spray resistant (NSS) in accordance with ISO 9227

Ce document n'est pas contractuel ; nous nous réservons le droit de modifier les caractéristiques de nos produits sans préavis. Toutes nos marques et tous modèles sont déposés.

