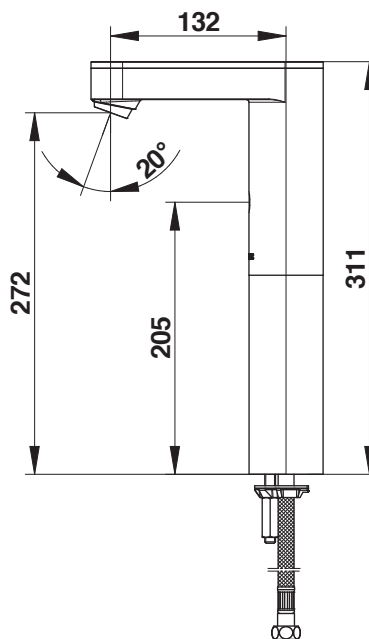


Range: Single deck-mounted sensor tap with extension

Ref: 56225 - PRESTO SO'O



> Working pressure :

- 1 to 5 bar

> Flow :

- 3 l/min with integrated flow limiter
- High quality anti-limescale aerator (new aerator since June 2016)
- Anti-water-hammering design

> Hydraulic supply :

- G 3/8" (12x17)

> Power supply :

- 6 V lithium battery (CRP2 type) in a casing placed within the tap body

> Material and colour finish :

- Chrome-plated metal alloy components
- Injected molded metal body and cover
- Distance from the base up to the detection cell: 205 mm

> Thermal resistance :

- Resistant to a temperature of 75°C for 30-minute-thermal-shocks

> Security :

- Anti-overflow security time: 30 seconds
- Anti-blocking system preventing the water to flow continuously
- Solenoid valve automatically shut down in case of power shortage or in case of sensor degradation

> Delivered with :

- Instruction manual
- 2 Fastening nuts
- 1 Gasket and 1 Washer
- PEX flexible hoses with F 3/8" nut (12x17) and NF non-return valve
- Filter gasket

> Standards & approvals :

- Molded chrome-plated body in accordance with EN 12540
- 200-hour neutral salt spray resistant (NSS) in accordance with ISO 9227

Ce document n'est pas contractuel ; nous nous réservons le droit de modifier les caractéristiques de nos produits sans préavis. Toutes nos marques et tous modèles sont déposés.

