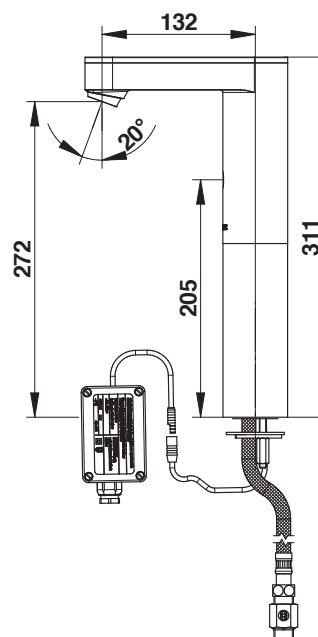


**Range:** Single deck-mounted sensor tap with extension

**Ref:** 56231 - PRESTO SO'O - Deck-mounted ensor tap with extension - Main operated



#### > Working pressure :

- 1 to 5 bar

#### > Flow :

- 3 l/min with integrated flow limiter
- High quality anti-limescale aerator (new aerator since June 2016)
- Anti-water-hammering design

#### > Hydraulic supply :

- G 3/8" (12x17)

#### > Power supply :

- 230 VAC/7 VDC transformer in IP65 waterproof case

#### > Material and colour finish :

- Chrome-plated metal alloy components
- Injected molded metal body and cover
- Distance from the base up to the detection cell: 205 mm

#### > Thermal resistance :

- Resistant to a temperature of 75°C for 30-minute-thermal-shocks

#### > Security :

- Anti-overflow security time: 30 seconds
- Anti-blocking system preventing the water to flow continuously
- Solenoid valve automatically shutdown in case of power shortage or in case of sensor degradation

#### > Delivered with :

- Instruction manual
- 2 Fastening nuts
- 1 Gasket and 1 Washer
- PEX flexible hoses with F 3/8" nut (12x17) and NF non-return valve
- Straight stop valve G 3/8" (12x17)
- Filter gasket

#### > Standards & approvals :

- Molded chrome-plated body in accordance with EN 12540
- 200-hour neutral salt spray resistant (NSS) in accordance with ISO 9227

