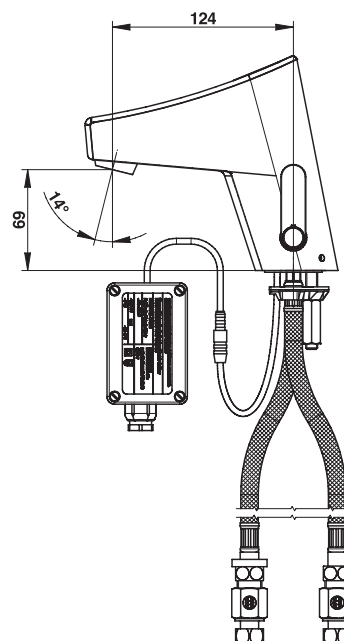


**Range:** Tournesol (Yellow) washbasin sensitive mixer tap

**Ref:** 56616 - PRESTO TOUCH® deck mounted



#### > Working pressure :

- 1 to 5 bar

#### > Flow :

- 3l/min with integrated flow limiter
- High quality anti-limescale aerator
- Anti-water-hammering design

#### > Flow time :

- 6 seconds (Adjustable from 1 s to 5 min) and Start/Stop function
- Duration and frequency of the "duty flush" function adjustable

#### > Hydraulic supply :

- G 3/8" (12x17)

#### > Power supply :

- 230 VAC/7 VDC transformer in IP65 waterproof case

#### > Material and colour finish :

- Chrome-plated metal alloy components

#### > Thermal resistance :

- Resistant to a temperature of 75°C for 30-minute-thermal-shocks

#### > Security :

- Temperature limiting system to avoid any risk of scalding
- Automatic shutdown of solenoid valve in case of power failure

#### > Delivered with :

- 2 PEX Hose Flexible with 3/8" Female Nut (12x17) and NF certified non return valve
- 2 strainer within a brass socket
- 1 Fixing bracket
- 1 Flange gasket
- 1 Fastening nut
- Instruction manual

#### > Standards & approvals :

- Molded chrome-plated body in accordance with EN 12540
- 200-hour neutral salt spray resistant (NSS) in accordance with ISO 9227

