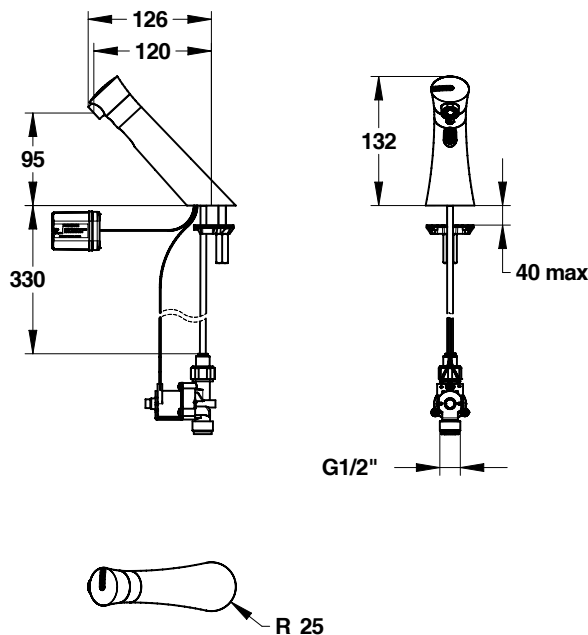


Range: Single deck-mounted sensor tap

Ref: 57034 - PRESTO NEO Sensor deck-mounted - Battery



> Working pressure :

- 1 to 5 bar

> Flow :

- 1.9 l/min with integrated spray flow limiter
- High quality anti-limescale sprayer
- Anti-water-hammering design

> Hydraulic supply :

- On Male G 1/2" (15x21) connection - Cold or premixed water

> Power supply :

- External 6V DC CRP2 lithium battery, IP65 Water Proof box

> Material and colour finish :

- Injected metal and brass. Chrome plated.

> Thermal resistance :

- Resistant to a temperature of 75°C for 30 minutes thermal shocks

> Security :

- Anti-overflow security time: 30 seconds (anti-blocking system preventing the water to flow continuously)
- Automatic shutdown of solenoid valve in case of power failure or sensor error
- Duty flush 45s each 24h after last use
- Low battery alert (blinking led)

> Delivered with :

- 1 Mounting assembly kit (Clamping & nut)
- 1 Filter gasket
- 1 solenoid valve
- 1 power supply (battery & battery box)
- 1 installation guide

> Standards & approvals :

- Brass in accordance with EN1982, EN12164 & EN1165
- Brass UBA list compliant
- REACH and RoHS compliant
- 200-hour neutral salt spray resistant (NSS) in accordance with ISO 9227
- WRAS certified

