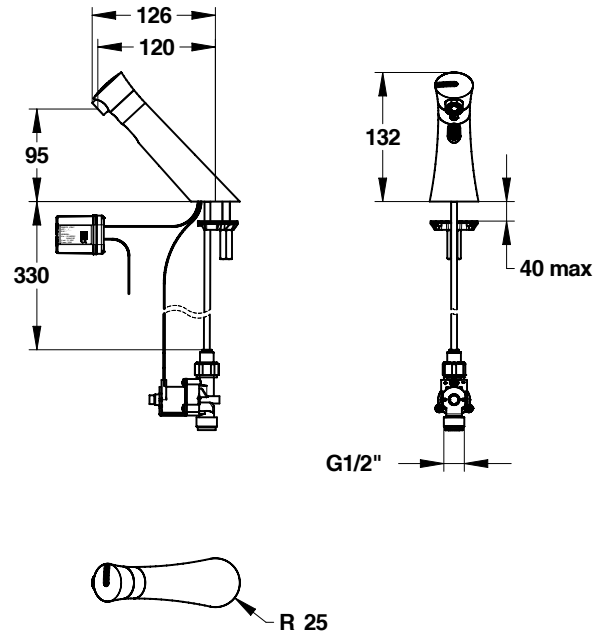


Range: Single deck-mounted sensor tap

Ref: 57038 - PRESTO NEO Sensor deck-mounted - Power Supply



> Working pressure :

- 1 to 5 bar

> Flow :

- 1.9 l/min with integrated spray flow limiter
- High quality anti-limescale sprayer
- Anti-water-hammering design

> Hydraulic supply :

- On Male G 1/2" (15x21) connection - Cold or premixed water

> Power supply :

- Low voltage power supply (12-24V AC/DC) in IP65 Water Proof case (transformer unit not provided)

> Material and colour finish :

- Injected metal and brass. Chrome plated.

> Thermal resistance :

- Resistant to a temperature of 75°C for 30 minutes thermal shocks

> Security :

- Anti-overflow security time: 30 seconds (anti-blocking system preventing the water to flow continuously)
- Automatic shutdown of solenoid valve in case of power failure or sensor error
- Duty flush 45s each 24h after last use

> Delivered with :

- 1 Mounting assembly kit (Clamping & nut)
- 1 Filter gasket
- 1 solenoid valve
- 1 power supply (transformer unit not provided)
- 1 installation guide

> Standards & approvals :

- Brass in accordance with EN1982, EN12164 & EN1165
- Brass UBA list compliant
- REACH and RoHS compliant
- 200-hour neutral salt spray resistant (NSS) in accordance with ISO 9227
- WRAS certified

Ce document n'est pas contractuel ; nous nous réservons le droit de modifier les caractéristiques de nos produits sans préavis. Toutes nos marques et tous modèles sont déposés.

