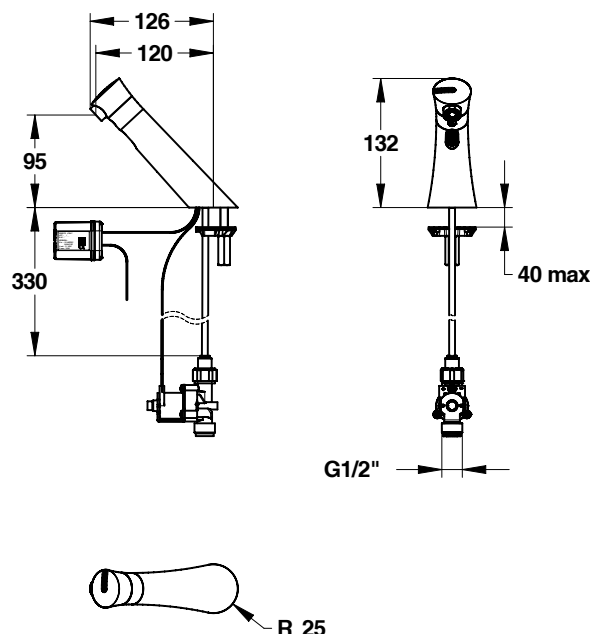


Range: Single deck-mounted sensor tap

Ref: 57050 - PRESTO NEO Sensor - Single deck-mounted tap with 230 V AC / 7 DC



> Working pressure :

- 1 to 5 bar

> Flow :

- 1,9 l/min with integrated flow controller sprayer.
- High quality anti-limescale aerator
- Anti-water-hammering design

> Hydraulic supply:

- G 1/2" (15x21) - Cold or premixed water

> Power supply :

- 230 VAC/7 VDC Transformer in IP65 waterproof case

> Material and colour finish:

- Chromed Injected molded metal body

> Thermal resistance :

- Resistant to a temperature of 75°C for 30-minute-thermal-shocks

> Security:

- Anti-overflow security time: 30 seconds
- Autoflush: 30 sec every 24 hours after last use (adjustable time range).
- Low battery alert (blinking led)

> Delivered with:

- 1 Brass clamping nut
- 1 Gasket and 1 Washer
- 1 External solenoid valve
- 1 Filter seal
- 1 230 VAC/7 VDC Transformer in IP65 waterproof case

> Standards & approvals:

- Brass in accordance with EN 1982, EN 12164, EN 12156
- 200-hour neutral salt spray resistant (NSS) in accordance with ISO 9227

Ce document n'est pas contractuel ; nous nous réservons le droit de modifier les caractéristiques de nos produits sans préavis. Toutes nos marques et tous modèles sont déposés.

