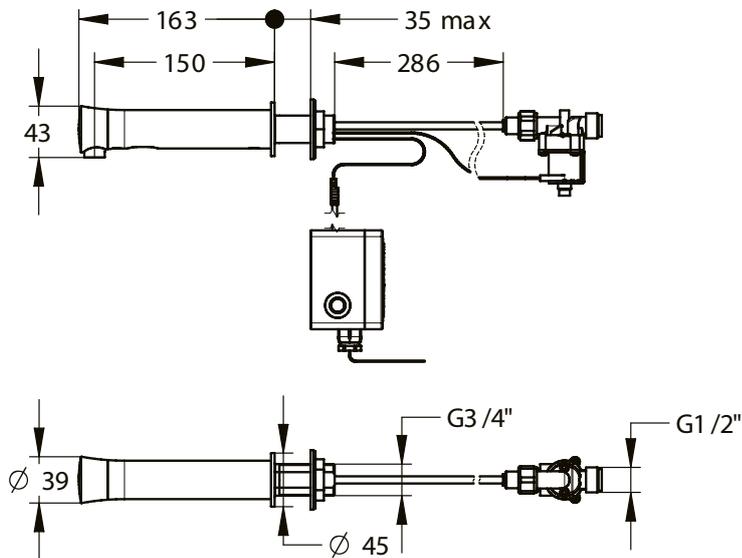
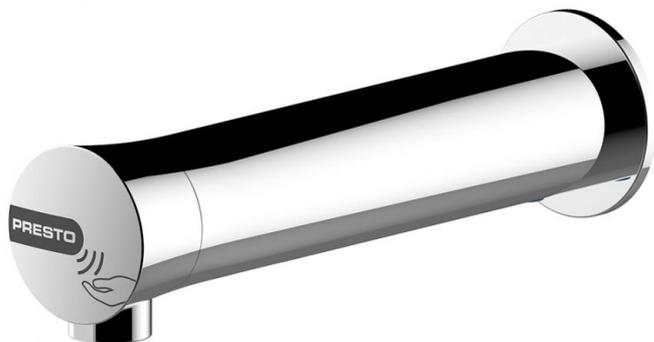


Range: Single wall-mounted sensor tap

Ref: 57052 - PRESTO NEO Sensor - Single wall-mounted tap with 230 V AC / 7 DC



> **Working pressure :**

- 1 to 5 bar

> **Flow :**

- 1.9 l/min with integrated flow controller sprayer.
- High quality anti-limescale aerator
- Anti-water-hammering design

> **Hydraulic supply:**

- G 1/2" (15x21) - Cold or premixed water

> **Power supply:**

- 230 VAC/7 VDC Transformer in IP65 waterproof case

> **Material and colour finish:**

- Chromed Injected molded metal body

> **Thermal resistance :**

- Resistant to a temperature of 75°C for 30-minute-thermal-shocks

> **Security:**

- Anti-overflow security time: 30 seconds
- Autoflush: 30 sec every 24 hours after last use (adjustable time range)
- Low battery alert (blinking led)

> **Delivered with:**

- 1 Brass clamping nut
- 1 Gasket and 1 Washer
- 1 External solenoid valve
- 1 Filter seal
- 1 230 VAC/7 VDC Transformer in IP65 waterproof case

> **Standards & approvals:**

- Brass in accordance with EN 1982, EN 12164, EN 12156
- 200-hour neutral salt spray resistant (NSS) in accordance with ISO 9227

Ce document n'est pas contractuel ; nous nous réservons le droit de modifier les caractéristiques de nos produits sans préavis. Toutes nos marques et tous modèles sont déposés.

