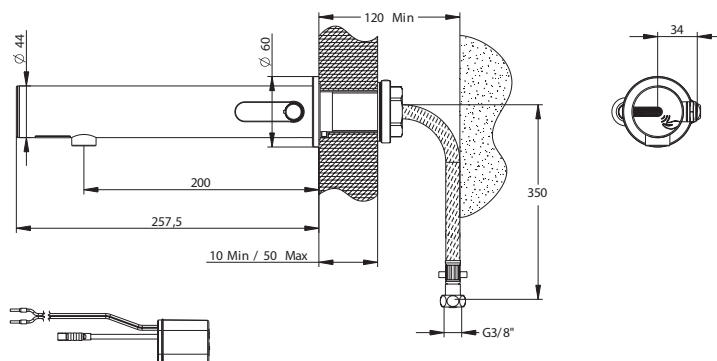
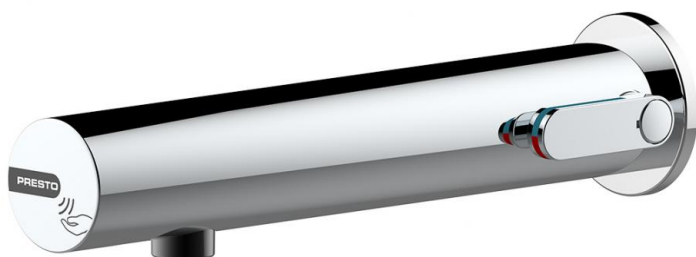


Range: PRESTO LINEA®

Ref: 57108 - Wall-mounted sensor mixer, cross-partition, Mains 12-24V, 1,9l/min without stop valve Chrome



> Working pressure

- 1 to 5 bar

> Function

- Starts and stops automatically by hand detection
- Sensor trigger suitable for PRM, elderly, children and disabled people

> Flow

- 1.9l/min at 3 bar with integrated regulated flow spray

> Hydraulic supply

- G 3/8" (12x17) hoses

> Power supply

- Mains-operated without transformer for low voltage power supply (12-24V AC/DC) in IP65 waterproof external case
- Compatible with non-provided transformer 230V AC / 12-24V AC/DC : Réf. 90464 / 90711/ 90610 / 90685 / 90704 / 90686

> Material and colour finish

- External brass body: chrome-plated
- Molded metal cover: chrome-plated

> Thermal resistance

- Resistant to a temperature of 75°C for 30-minute-thermal-shocks

> Security

- Anti-overflow security time set to 30 seconds preventing the water to flow continuously
- Automatic shutdown of solenoid valve in case of power failure or sensor damage
- Duty flush 30 sec every 24h after last use (adjustable flow time and frequency with PRESTOCOM toolkit: <https://www.presto.fr/apropos/prestocom/>)
- Smooth inner body for limiting biofilm binding and bacterial development

> Installation

- Recommended installation height : 30 cm above the bottom of the washbasin

> Delivered with

- 1 Brass clamping nut, 1 Gasket and 1 Washer
- 1 Wall rose
- 2 PEX Hoses with revolving nuts, NF check valves and filter gaskets
- 1 Self-adhesive sticker
- 1 extension cord 1m for power supply
- 1 Instruction manual

> Standards & approvals

- Brass body in accordance with NF EN1982, EN12164, NF EN 12165,
- UBA list compliant
- 200-hour neutral salt spray resistant (NSS) in accordance with NF ISO 9227

