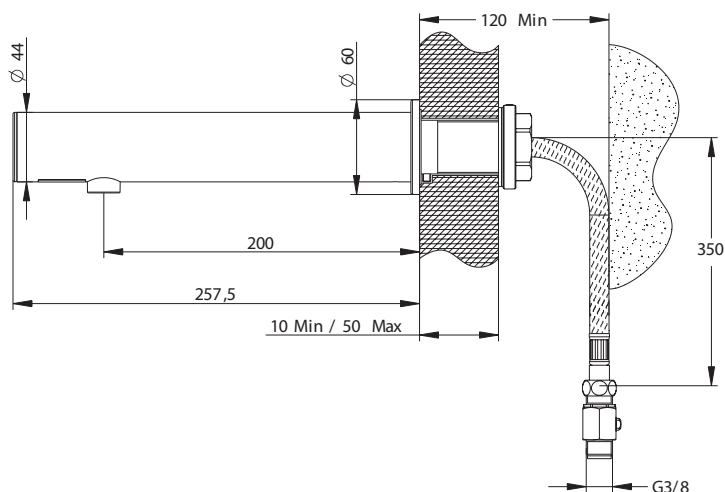
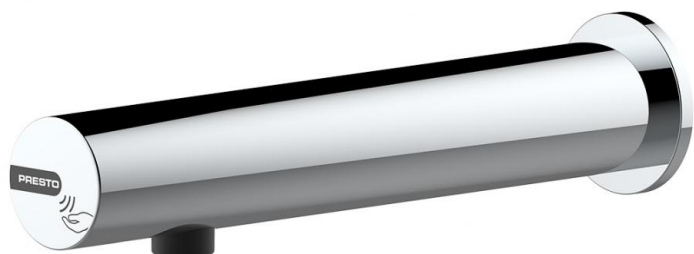


Range: PRESTO LINEA®

Ref: 57114 - Wall-mounted single sensor tap, cross-partition, Battery, 3l/min Chrome



> Working pressure

- 1 to 5 bar

> Function

- Starts and stops automatically by hand detection
- Sensor trigger suitable for PRM, elderly, children and disabled people

> Flow

- 3l/min at 3 bar with integrated regulated anti-limescale aerator

> Hydraulic supply

- F G 3/8" (12x17) hose - Cold or premixed water

> Power supply

- Integrated 3V CR123A lithium batteries (x2)

> Materials & finish:

- External brass body. Chrome Finish
- Molded metal cover. Chrome Finish

> Thermal resistance :

- Resistant to a temperature of 75°C for 30-minute-thermal-shocks

> Security :

- Anti-overflow security time set to 30 seconds preventing the water to flow continuously
- Automatic shutdown of solenoid valve in case of low battery or sensor damage
- Duty flush 30 sec every 24h after last use (adjustable flow time and frequency with PRESTOCOM toolkit: <https://www.presto.fr/apropos/prestocom/>)
- Smooth inner body for limiting biofilm binding and bacterial development
- Low battery alert (blinking led light)

> Installation

- Recommended installation height : 30 cm above the bottom of the washbasin

> Delivered with:

- 1 Brass clamping nut, 1 Gasket and 1 Washer
- 1 Wall rose
- 1 PEX Hoses with revolving nut and filter gasket
- 1 M M G 3/8" (12x17) Stop valve
- 1 Self-adhesive sticker
- 1 Instruction manual

> Standards & approvals :

- Brass body in accordance with NF EN1982, EN12164, NF EN 12165,
- UBA list compliant
- 200-hour neutral salt spray resistant (NSS) in accordance with NF ISO 9227

