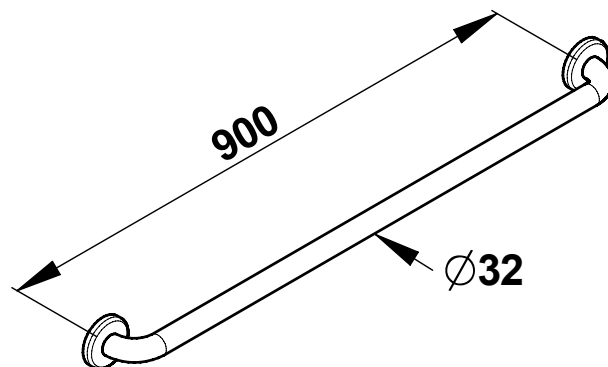


Range: Grab bars and support rail

Ref: 60318 - Support rail - 32 mm diameter



> Dimensions:

- Diameter: 32 mm
- Length: 900 mm

> Material and finish color:

- 304 stainless steel tube
- 304 stainless steel fastening plate welded
- Brushed polished finish

> Delivered with:

- 304 stainless steel clip-on rosettes for concealing fastening screws

> Standards / Approvals:

- Resistance to neutral salt spray (NSS): 200 h according to NF ISO 9227