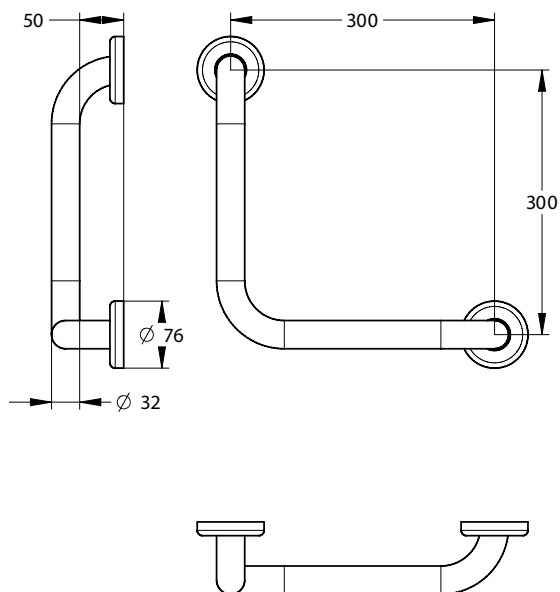


**Range:** Grab bars and support rail

**Ref:** 60325 - 90° angled rail- diameter 32 mm



#### >> Dimensions:

- Diameter: 32 mm
- Length: 300x300 mm

#### >> Material and finish color:

- 304 brushed stainless steel
- Mounting plate, screwed platinum-bar assembly

#### >> Delivered with:

- 304 stainless steel escutcheons for concealing fastening screws

#### >> Standards / Approvals:

- Resistance to neutral salt spray (NSS): 200 h according to NF ISO 9227