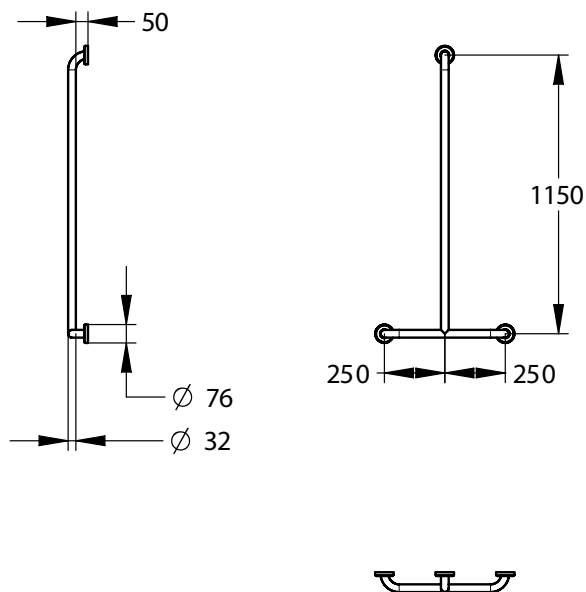
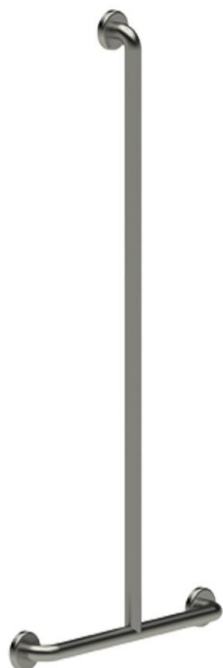


**Range:** Grab bars and support rail  
**Ref:** 60333 - T-bar diameter 32 mm



#### > Dimensions:

- Diameter: 32 mm
- Length x height: 500x1150 mm

#### > Material and finish color:

- 304 brushed stainless steel
- Mounting plate, screwed platinum-bar assembly

#### > Delivered with :

- Stainless steel escutcheons for concealing fixing screws
- T-model

#### > Standards / Approvals:

- Resistance to neutral salt spray (NSS): 200 h according to NF ISO 9227