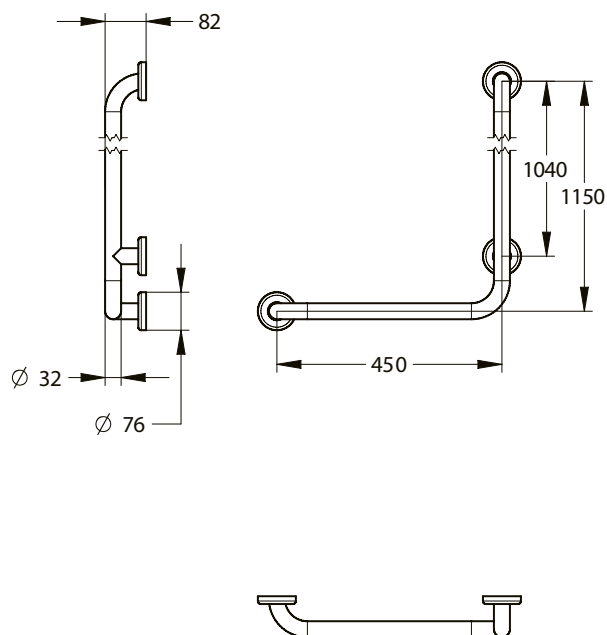
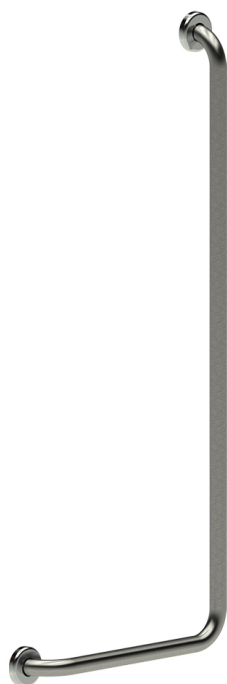


Range: Grab bars and support rail

Ref: 60336 - 90 ° angled bar diameter 32 mm, left model



> Dimensions:

- Diameter: 32 mm
- Length: 450 x 1150 mm

> Material and finish color:

- 304 brushed stainless steel
- 304 L stainless steel turntables and fasteners

> Delivered with :

- Rosettes to conceal the fixing screws
- Fastening screws for concrete wall

> Standards / Approvals:

- Resistance to neutral salt spray (NSS): 200 h according to NF ISO 9227