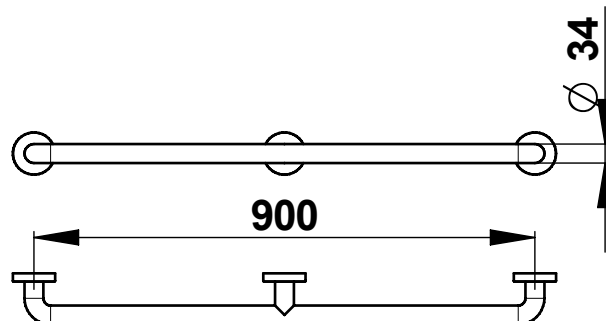


**Range:** Grab bars and support rail

**Ref:** 60454 - Support rail - 34 mm diameter



#### > Dimensions:

- Diameter: 34 mm
- Length: 900 mm
- 3 anchor points

#### > Material and finish color:

- Aluminium structure
- ABS with antibacterial additive
- White finish
- 304 L stainless steel turntables and fasteners

#### > Standards / Approvals:

- Resistance to neutral salt spray (NSS): 200 h according to NF ISO 9227