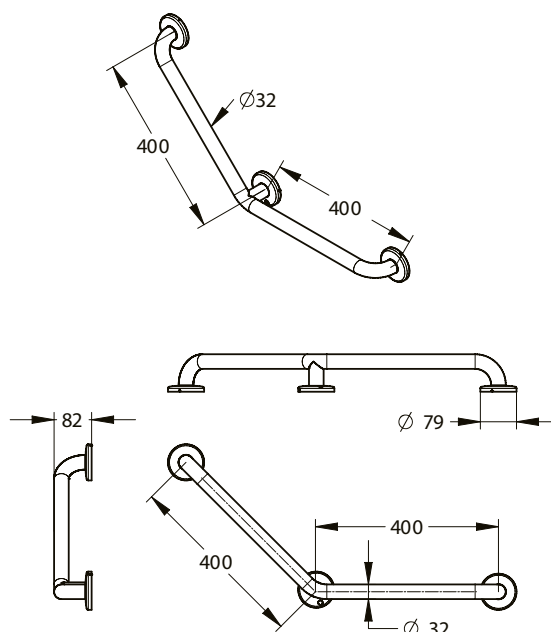


Range: Grab bars and support rail

Ref: 60529 - 135° Angled rail - Diameter 32mm



> Dimensions:

- Diameter: 32 mm
- Length: 400 x 400 mm
- 3 anchor points

> Material and finish color:

- Steel tube
- Screwed fixing plates
- RAL 9003 white epoxy paint finish

> Delivered with:

- Steel clip-on rosettes for concealing fixing screws

> Standards / Approvals:

- 200-hour neutral salt spray resistant (NSS) in accordance with ISO 9227