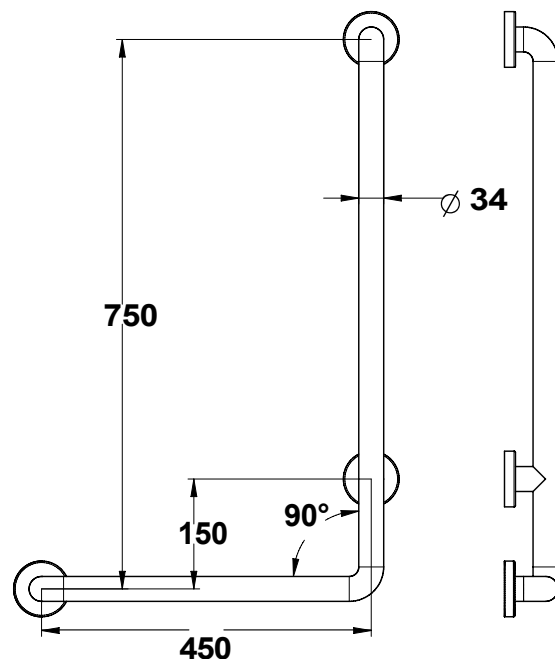


Range: Grab bars and support rail

Ref: 60761 - 90° Angled rail - Diameter 34 mm



> Dimensions:

- Diameter: 34 mm
- Length: 450 x 750 mm

> Material and finish color:

- Aluminium structure
- ABS with antibacterial additive
- White finish, left/right side-model
- 304 L stainless steel turntables and fasteners

> Delivered with:

- ABS rosettes to conceal the fixing screws

> Standards / Approvals:

- Resistance to neutral salt spray (NSS): 200 h according to NF ISO 9227