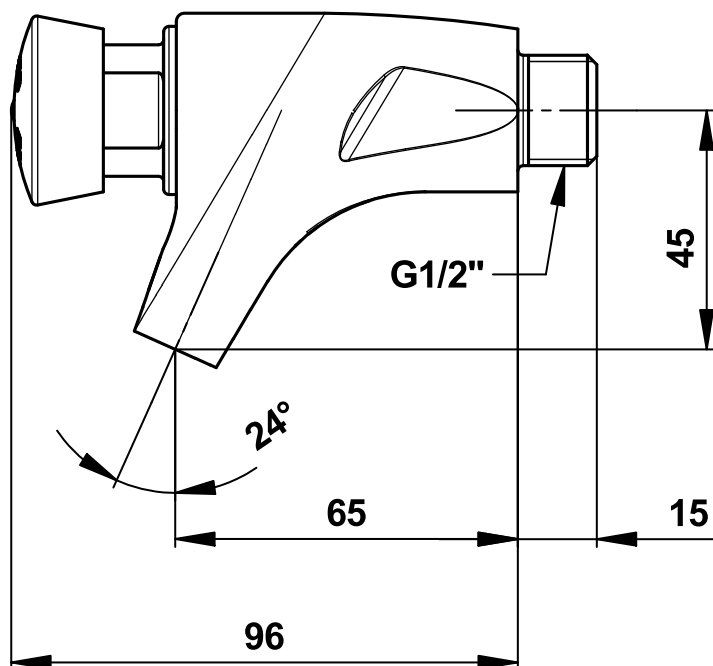


Range : Single wall-mounted tap

Ref : 63100 - PRESTO 504 S anti-blocking



> Working pressure :

- 1 to 5 bar

> Flow :

- 3 l/min at 3 bar - 4-positions flow adjustment device
- Anti-water-hammering design
- Vandalism proof and anti-clogging spout

> Flow time :

- 15 seconds (± 5 sec.)

> Hydraulic supply :

- M G 3/8" (12x17) - Premixed water

> Thermal resistance :

- Resistant to a temperature of 75°C for 30-minute-thermal-shocks

> Security :

- Interchangeable head and non-turnable push-button
- Non-removable, wear-proof coloured marker
- Patented anti-blocking "S" system to avoid the water to flow continuously

> Delivered with :

- Instruction manual

> Standards & approvals :

- Brass body in accordance with EN 1982, EN 12164, EN 12156
- Molded chrome-plated body in accordance with EN 12540
- 200-hour neutral salt spray resistant (NSS) in accordance with ISO 9227

