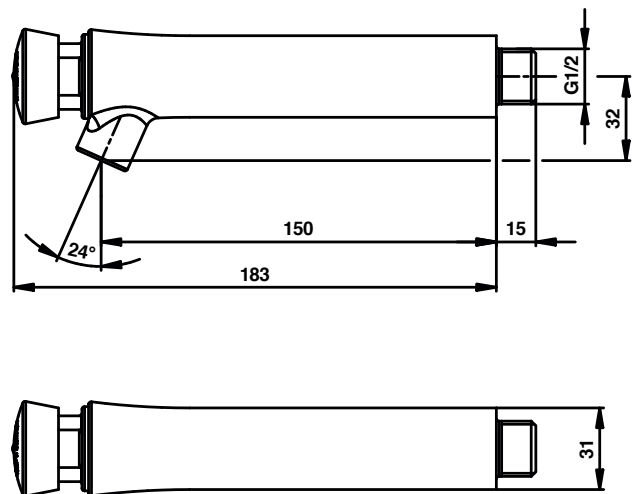


Range: Single wall-mounted tap

Ref: 63210 - PRESTO 504 with 150mm projection



> Working pressure:

- 1 to 5 bar

> Flow:

- 3 l/min at 3 bar - 4-position flow adjustment device
- Anti-water-hammering design

> Flow time:

- 5 seconds (± 5 sec.)

> Hydraulic supply:

- M G 1/2" (15x21) - Cold water

> Thermal resistance:

- Resistant to a temperature of 75°C for 30-minute-thermal-shocks

> Security:

- Interchangeable head and anti-rotation push-button
- Non-removable, wear-proof coloured marker

> Dimensions:

- 150mm projection

> Delivered with:

- Instruction manual

> Standards & approvals:

- Brass body in accordance with EN 1982, EN 12164, EN 12165
- Molded chrome-plated body in accordance with EN 12540
- 200-hour neutral salt spray resistant (NSS) in accordance with ISO 9227

