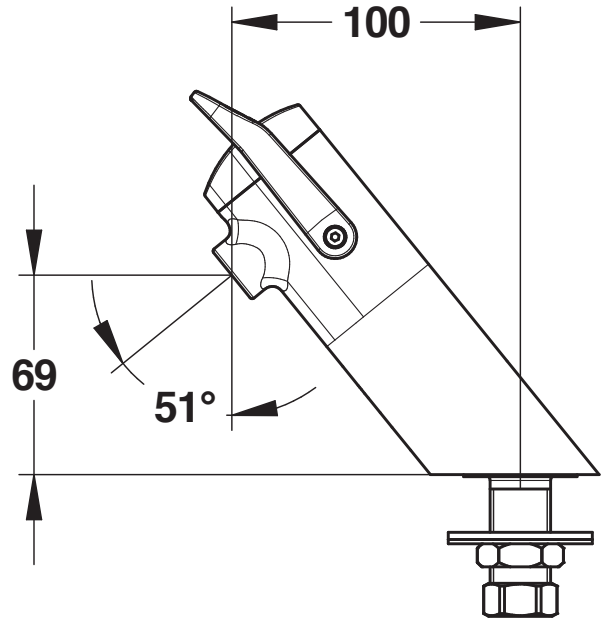


**Range:** Washbasin single self-closing tap

**Ref:** 64704 - PRESTO NEO DUO S® deck-mounted tap - Dual timed-flow - 1.9L/min (PRESTOGREEN)



**> Working pressure:**

- 1 to 5 bar

**> Flow:**

- 1.9 l/min with flow regulator
- Anti water-hammer system

**> Flow time:**

- 7 seconds - lever upwards
- 11 seconds - lever downwards

**> Hydraulic supply:**

- G 1/2" x 40

**> Thermal resistance:**

- This tap can withstand a thermal shock of 75°C for 30 minutes as part of a thermal shock programme

**> Safety:**

- With S® antiblocking system to prevent blocking in continuous flow

**> Convenience:**

- Soft-touch
- Two-coloured ergonomic lever, in glass fiber reinforced polymer

**> Delivered with:**

- 1 Filter gasket
- 1 base gasket
- 1 fixture nut + 1 stainless steel washer
- 1 Nut for 12x14 tube
- 1 rubber flat gasket
- 1 coloured sticker

**> Standards / Approvals:**

- Chrome-plated brass body compliant with standards NF EN1982 / NF EN12164 / NF EN12165
- Nickel-Chrome surface treatment compliant with NF EN12540
- Neutral Salt Spray (NSS) resistant: 200 h according to NF ISO 9227

Ce document n'est pas contractuel ; nous nous réservons le droit de modifier les caractéristiques de nos produits sans préavis. Toutes nos marques et tous modèles sont déposés.

