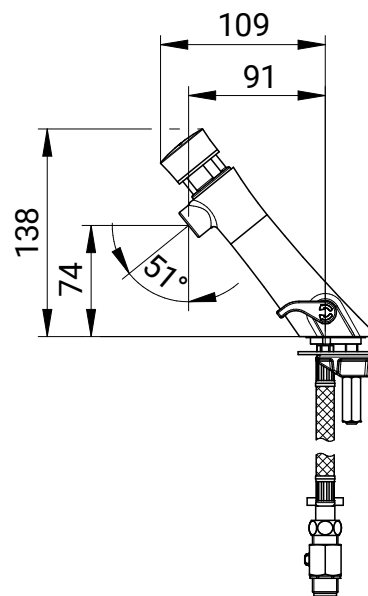


**Range:** PRESTO NEO

**Ref:** 68400 - Washbasin deck-mounted self-closing mixer tap



#### > Working pressure :

- 1 to 5 bar

#### > Flow :

- 3 l/min at 3 bar - 4-position flow adjustment device
- Anti-water-hammering design

#### > Flow time :

- 15 seconds  $\pm$  5 seconds

#### > Hydraulic supply :

- G 3/8" (12x17)

#### > Thermal resistance :

- Resistant to a temperature of 75°C for 30 minute thermal shock

#### > Security :

- Non-turnable push button
- Non-removable, wear-proof red marker
- With temperature limiter (at 38°C for cold water at 15°C/3 bar and hot water at 60°C/3 bar)

#### > Delivered with :

- 2 PEX Hoses with NF check valves and revolving nut
- 2 MM G 3/8" (12x17) Stop valves
- 2 Filter gaskets
- 1 Stainless steel plain washer
- 1 Fixing bracket
- 1 Base gasket
- 1 Brass clamping nut
- Instruction manual

#### > Standards & approvals :

- Brass body in accordance with EN 1982, EN 12164, EN 12165
- Molded chrome-plated body in accordance with EN 12540
- 200-hour neutral salt spray resistant (NSS) in accordance with ISO 9227

