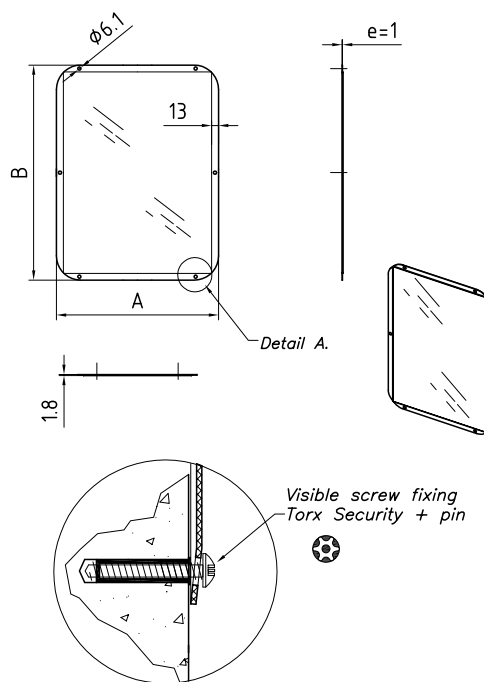


Range: STAINLESS STEEL SANITARYWARE

Ref: 71900 - Stainless steel unbreakable Mirror - 500x400mm



> Description:

- Stainless steel unbreakable mirror
- With mounting holes

> Material:

- Stainless steel AISI 304
- 1 mm Thickness

> Dimensions:

- H500xL400mm

