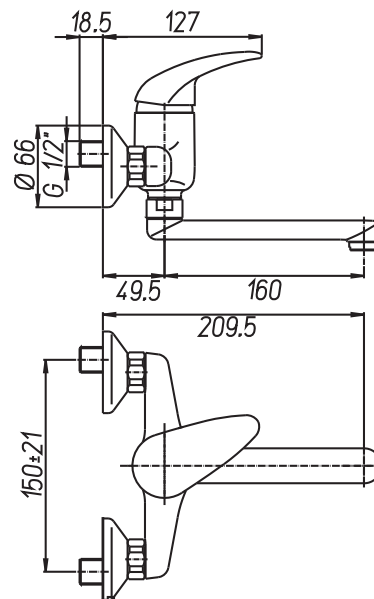


**Range:** Sanifirst - Healthcare taps

**Ref:** 75030 - Sink mixer, span 150mm with 150mm spout without wall drain with solid handle



## > Benefits of the product

- Ergonomic: easy to use elbow handle (for patients)
- Ceramic cartridge Ø 40, pressure balancing: 7-setting temperature limiter, dual flow.
- Star shaped flow straightener: Limits the water spray, no water retention.

## > Model

- Wall-mounted sink mixer - center distance 150 mm
- Without emptying
- Full handle
- Swivel spout 160 mm
- Multifunction ceramic cartridge Ø 40: temperature limiter with 7 adjustment positions, double flow rate and maximum flow rate adjustment
- Star jet breaker M24X100

## > Recommended pressure

- 3 bar - avoid pressure differences greater than 1 bar between DHW and DFS
- Minimum pressure: 1 bar.
- Maximum pressure: 5 bar

## > Material

- Body and actuator in polished chrome-plated brass

## > Connection

- Captive nut G 3 / 4 supplied with rosettes and eccentric fittings M G 1 / 2

## > Guarantee

- 10 years against any manufacturing defect