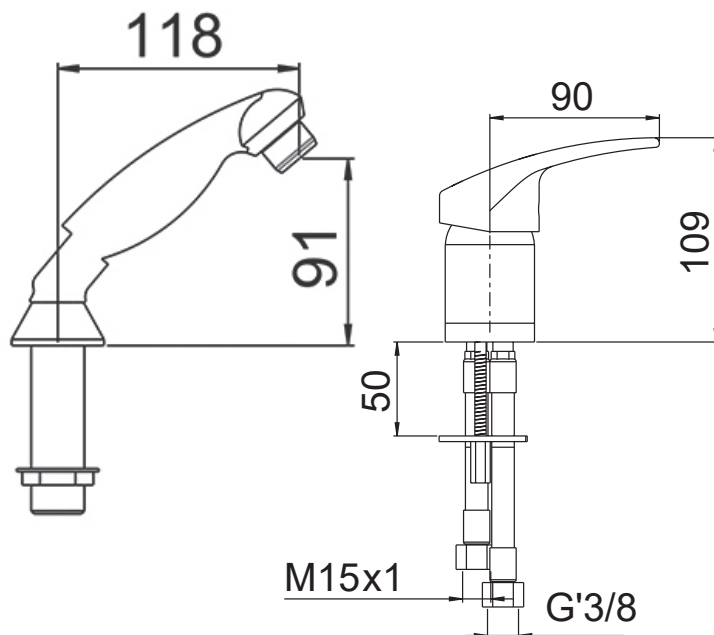


Range: Sanifirst - Robinetterie Santé

Ref: 75093 - Hospital hairdresser mixer with off-set shower



> Benefits of the product

- Modul'Mix Range: modularity of parts and adaptability to actual needs
- Retrofitable and customisable
- Ergonomic: easy to use elbow handle (for patients and technical staff)
- Hand hygiene: avoiding manual contact
- Ceramic pressure balancing cartridge: 7-setting temperature limit stop, dual flow.
- Smooth interior tube, fixed or swivel, removable spout: easy cleaning and disinfection, limits the formation of biofilm.
- Quick and easy maintenance