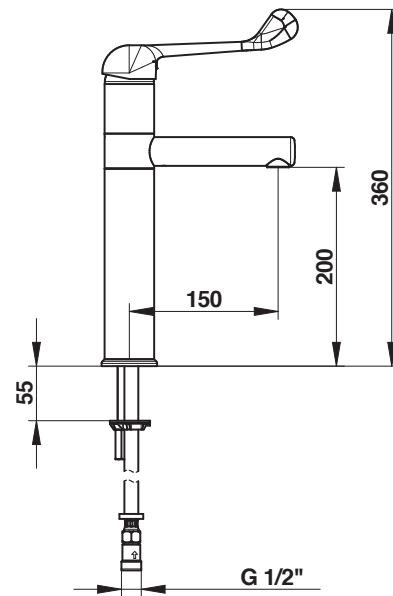


Range: Sanifirst - Healthcare taps

Ref: 75131 - Hospital mixer, fixed or adjustable spout, removable - Modul'Mix



> Benefits of the product

- Certified French norm NF Medical E.C.A.U.M : E00 Ch2 A1 U3
- Modul'Mix range: modularity of parts and adaptability to needs
- Retrofitable and customizable
- Ergonomics: easier grip of the elbow control (for patients and scrub room)
- Hand hygiene: avoiding manual contact
- Comfortable height to spout and projection for washbasin
- Multifunctional cartridge: temperature limiter with 7 adjustment positions, double flow (hard point at 50% opening).
- Flow between 4 and 6L / min at 3 bar - in accordance with the French norm standard "Medical"; possible flow modification, in case of disassembly of the limiters, by adjusting screw between 4 and 20L / min.
- Fixed or adjustable spout (optional), removable with smooth interior: facilitates cleaning and disinfection, limits the deposit of the biofilm.
- Star-shaped flow straighteners: limits the water spray, no water retention.
- Simple and fast maintenance

> Model

- Deck-mounted hospital mixer
- Elbow control
- Fixed or swiveling smooth spout, technician's choice
- Height under spout: 200 mm
- Projection: 150 mm
- Multifunction ceramic cartridge Ø 40: temperature limiter with 7 adjustment positions, double flow (hard point at 50% opening)
- Star-shaped flow straightener M24 X 100

> Flow rate

- Flow rate between 4 and 6L / min at 3 bar - conforms to the NF "Medical environment" standard
- Modification of the flow rate possible, if the limiters are removed, by adjusting screw between 4 and 20L / min.

> Recommended pressure

- 3 bar - avoid pressure differences greater than 1 bar between DHW and DCW.
- Minimum pressure: 1 bar.
- Maximum pressure: 5 bar.

> Materials

- Smooth body, spout and operating device in polished chrome-plated brass.

> Connection

- Hoses with M10X1 braided SPEX stainless steel sheath, G3 / 8 captive nut, Lg 650mm, with basket filter seal fitted in the hoses, limiting clogging. Flow rate limiters.
- Fixing reinforced by a stainless steel rod

> Warranty

- 10 years against any manufacturing defect.