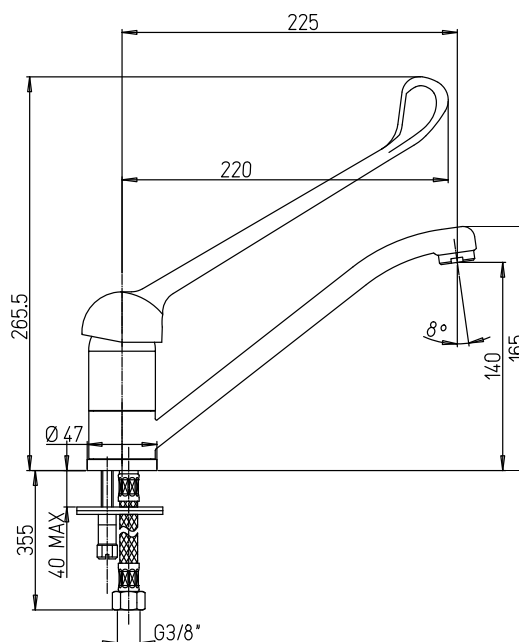


Range: Sanifirst - Healthcare taps

Ref: 75637 - Hospital sink mixer with swivel spout



> Benefits of the product

- Comfortable projection for cleaning.
- Ergonomic: easy grip (for patients and technical staff)
- Hand hygiene: avoiding manual contact
- Multifunctional cartridge: temperature limiter with 7 adjustment positions, dual flow (hard point at 50% opening).
- Flow between 4 and 6L / min at 3 bar - in accordance with the French norm standard "Medical"; possible flow modification, in case of disassembly of the limiters, by adjusting screw between 4 and 20L / min.
- Water savings, safe operation and controlled water consumption.

> Model

- Single-hole deck-mounted sink mixer
- Without waste
- Elbow control
- Projection: 225 mm. Swivel spout
- Height to spout: 140 mm
- Multifunction ceramic cartridge Ø 40: temperature limiter with 7 adjustment positions, dual flow (hard point at 50% opening)
- Star-shaped flow straightener M24 X 100

> Flow rate

- Flow between 4 and 6L / min at 3 bar - in accordance with the NF standard "medical environment"
- Possible flow modification, in case of disassembly of the limiters, by adjusting screw between 4 and 20L / min

> Recommended pressure

- 3 bar - avoid pressure differences greater than 1 bar between DHW and DCW
- Minimum pressure: 1 bar.
- Maximum pressure: 5 bar

> Material

- Smooth body, spout and lever in polished chrome-plated brass

> Connection

- SPEX M12X1 hoses, captive nut G3 / 8, Lg 350 mm. Basket filters gaskets mounted on the hoses to limit clogging. Flow rate limiters.
- Fixing reinforced by a stainless steel rod

> Warranty

- 10 years against any manufacturing defect