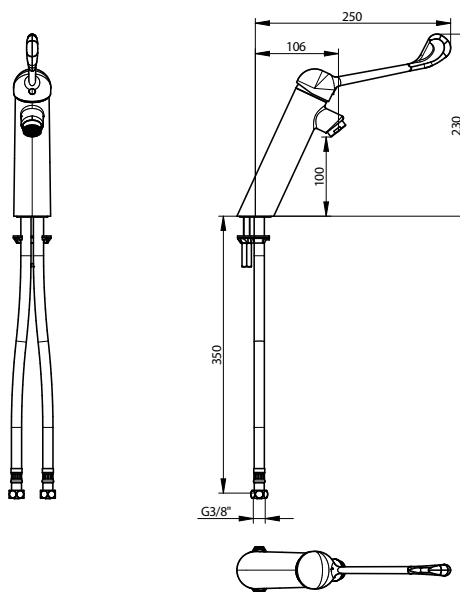


**Range:** Sanifirst - Healthcare tapware  
**Ref:** 75841 - Washbasin mixer - H 100 mm



## > Benefits

- Comfortable height under spout and projection, compliant to the French "NF Medical" norm
- Body inside and outside smooth: limiting the fixation of the biofilm and the proliferation of bacteria
- Very low water retention after the closure member
- Ergonomics: easy grip of the elbow control (for patients and the scrub room)
- Hand hygiene: avoids manual contact
- Modern design

## > Washbasin mixer

- Height under spout : 100 mm
- Projection: 106 mm
- Without drainage

## > Lever

- Elbow control

## > Cartridge

- Multifunctional 35 mm diameter ceramic cartridge: temperature limit stop with 7 adjustment positions, and maximum flow control.

## > Flow rate

- Compliant to French Norm "NF Medical" norm, between 4 and 6 L/Min at 3 bar

## > Pressures

- Min pressure: 1 bar
- Recommended pressure: 3 bar - Avoid pressure differences greater than 1 bar between hot and cold water
- Max pressure: 5 bar

## > Connection

- Hoses with SPEX braided stainless steel sheath M10X1 EP G3 / 8
- Fixing by means of a 1 M8 rod clamping kit

## > Output

- M 24X1 star-shaped flow straightener

