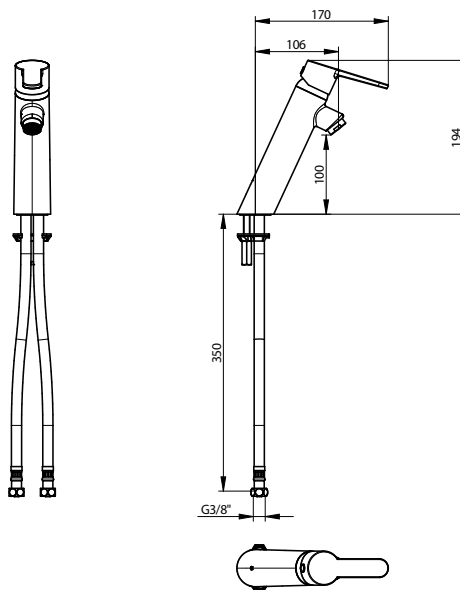


**Range:** Sanifirst - Healthcare taps

**Ref:** 75845 - Washbasin mixer with solid lever without drain - HOPTIM'



## > Benefits of the product

- WRAS Approved
- Comfortable height to nozzle and projection: compliant with the French Medical NF norm
- Body inside and outside smooth: limiting the fixation of the biofilm and the proliferation of bacteria
- Solid lever: facilitates cleaning
- Modern design
- Very low water retention in the spout

## > Model

- Height under spout: 100 mm.
- Projection: 106 mm - Fixed spout.
- Without waste, deck-mounted.
- Full lever.
- Star-shaped flow straightener M24 x 1.
- 35 mm diameter ceramic cartridge with temperature limiter with 7 adjustment positions, and maximum flow rate adjustment.
- Body with smooth interior and exterior (smooth surface in contact with water)

## > Flow rate

- NF "M" compliant: between 4 and 6 L / min at 3 bar.

## > Recommended pressure

- 3 bar - avoid pressure differences greater than 1 bar between DHW and DCW.
- Minimum pressure: 1 bar.
- Maximum pressure: 5 bar.

## > Materials

- Chromed brass.

## > Connection

- Hoses with M10X1 stainless steel braided SPEX sheath, G'3 / 8 captive nut.
- Fixing by a clamping kit 1 M8 rod

## > Warranty

- 10 years against any manufacturing defect

