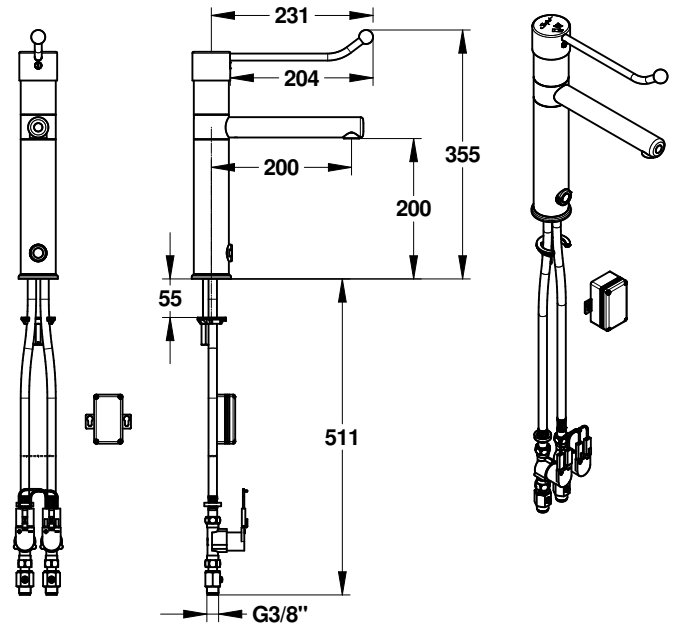


Range: Sanifirst - Healthcare taps

Ref: 75874 - Electronic mixer, battery powered, fixed or adjustable removable nozzle, - Modul'Mix



> Benefits of the product

- **Modul'Mix range:** modularity of parts and adaptability to needs
- **Retrofitable and customizable**
- **Ergonomics:** easy prehension of elbow control (for patients and the technical platform)
- **Elbow control lever:** avoiding manual contact
- **Comfortable height to spout and projection for washbasin**
- **Multifunctional cartridge:** temperature limiter with 7 adjustment positions
- **Flow between 4 and 6L / min at 3 bar** - in accordance with the French norm standard "Medical"; possible flow modification, in case of disassembly of the limiters, by adjusting screw between 4 and 20L / min.
- **Fixed or adjustable spout (according to the technician's choice), removable with smooth interior:** facilitates cleaning and disinfection, limits the deposit of the biofilm.
- **Star-shaped flow straightener:** limits the water spray, no water retention.
- **Simple and fast maintenance**
- **Prevention program "anti-bacteria" customizable (purges, frequencies, duration, etc.).** Limits bacterial growth (legionella, pseudomonas ...)

> Model

- Battery powered sensor hospital mixer
- Elbow control. Mixing by horizontal movement only: no need to lift the control to open the water
- Fixed or swivel smooth spout, technician's choice
- Height under spout: 200 mm
- Projection: 200 mm
- Multifunction ceramic cartridge Ø 40: temperature limiter with 7 adjustment positions, double flow (hard point at 50% opening)
- 2 Solenoid valves with silicone membrane M G'3 / 8
- Star-shaped flow straightener M24 X 100

> Flow rate

- Flow rate between 4 and 6L / min at 3 bar - conforms to the NF "Medical environment" standard
- Modification of the flow rate possible, if the limiters are removed, by adjusting screw between 4 and 20L / min.

> Recommended pressure

- 3 bar - avoid pressure differences greater than 1 bar between DHW and DCW.
- Minimum pressure: 1 bar.
- Maximum pressure: 5 bar.

> Materials

- Smooth body, spout and operating device in polished chrome-plated brass.

> Connection

- Hoses with M10X1 stainless steel braided SPEX sheath, G'3 / 8 captive nut, Lg 650mm, with basket filter seal fitted in the hoses, limiting clogging. Flow restrictors.
- Fixing reinforced by a stainless steel rod

> Warranty

- 3 years against any manufacturing defect.

