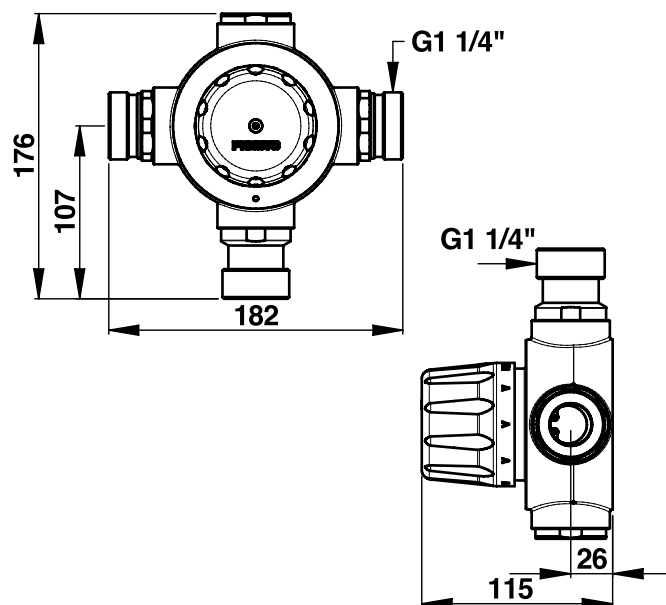


Range: PRESTOTHERM MIXING VALVE

Ref: 84008 - PRESTOTHERM 134 L



> Working pressure :

- Operating pressure supply : 0,2 to 6 bar
- Maximum static pressure supply : 10 bar
- Permitted supply pressure variation / 2:1

> Flow :

- Max : 134 L/min at 3 bar
- Min : 8 L/min at 3 bar

> Temperature :

- Factory set temperature range : 40°C +/- 1°C
- Adjustable temperature range : 35 to 55°C
- Maximum hot temperature supply : 85°C
- Minimum temperature differential : 15°C

> Hydraulic supply :

- Inlet and outlet : G 1"1/4 (33x42)

> Thermal resistance :

- Designed to withstand thermal shocks at temperatures over 75°C during 30 min

> Security :

- Anti-scald system: flow is immediately stopped if the cold water is cut off
- Internal temperature limiter

> Delivered with :

- 2 Filter gaskets
- 2 NF check valves

> Standards & approvals :

- 200-hour neutral salt spray resistant (NSS) in accordance with ISO 9227
- Brass body in accordance with EN 1982, EN 12164, EN 12156

