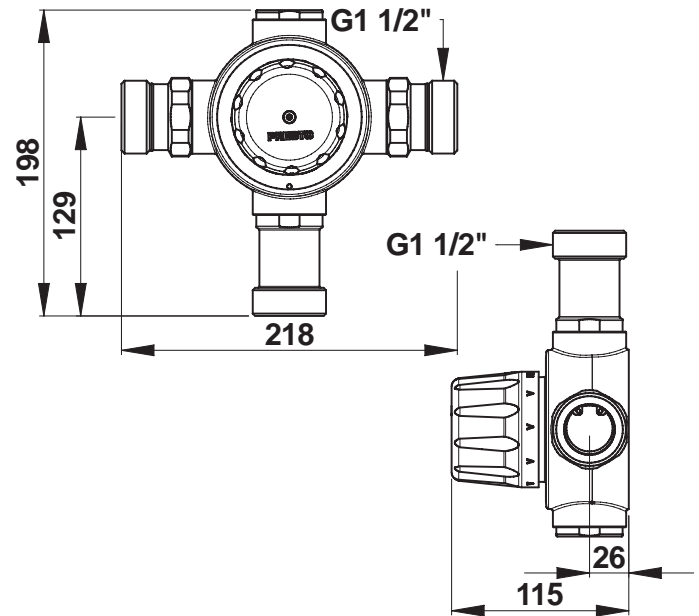


Range: PRESTOTHERM MIXING VALVE
Ref: 84009 - PRESTOTHERM 188L



> Working pressure :

- Static operating pressure supply : 10 bar
- Dynamic operating pressure supply : 0.2 à 6 bar max
- Permitted supply pressure variation : 2:1 max

> Flow :

- Maximum : 188 l/min at 3 bar
- Minimum : 8 l/min at 3 bar

> Temperature :

- Factory set temperature : 40°C +/- 1°C
- Adjustable temperature range : 35 to 55°C
- Temperature, hot water inlet : 85°C max
- Temperature, cold water inlet : 5 à 25°C
- Minimum temperature differential : 15°C

> Hydraulic supply :

- Inlet and outlet G 1"1/2 (40x49)

> Thermal resistance :

- Designed to withstand thermal shocks at temperatures over 75°C during 30 min

> Security :

- Anti-scald system: flow is immediately stopped if the cold water is cut off
- Internal temperature limiter

> Delivered with :

- 2 Filter gaskets
- 2 NF check valves

> Standards & approvals :

- 200-hour neutral salt spray resistant (NSS) in accordance with ISO 9227
- Brass body in accordance with EN 1982, EN 12164, EN 12156

