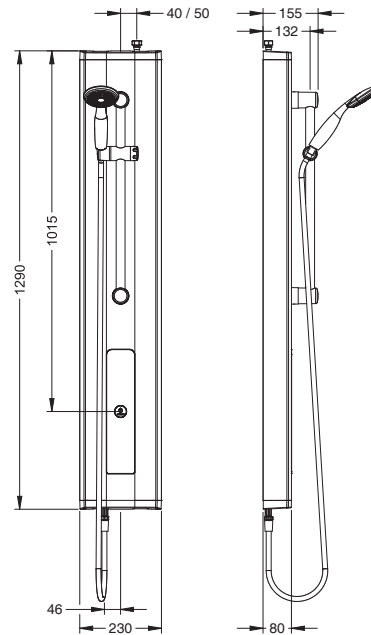


**Range:** PRESTOTEM 2

**Ref:** 88834 - Shower panel with PRESTO TOUCH® tapware, with hand-held shower



**> Working pressure :**

- 1 to 5 bar

**> Flow rate:**

- 6l/min with integrated flow limiter
- Anti-water-hammering device
- Hand-held shower on rail with chrome plated slide

**> Flow time:**

- 30 seconds (adjustable from 1 sec to 5 min) and Start/Stop function
- Adjustable duration and frequency of the "duty flush" function

**> Hydraulic supply :**

- G 1/2" (15x21), top or rear water inlet. For rear water inlet, we recommend to add the adaptation kit under the reference 91026
- On the PRESTO TOUCH® tapware with cold or pre-mixed water

**> Power supply:**

- 6 V Lithium battery type CRP2 in a case integrated inside the panel

**> Material :**

- Anodised aluminium extruded section (2.5mm thickness)
- Aluminium removable valve plate, painted RAL 7005 colour
- High resistance RAL 7005 coloured ABS covers

**> Functioning:**

- Wide opening panel without the need to dismantle from the wall and shower taps on a removable valve plate

**> Thermal resistance :**

- Resistant to a temperature of 75°C for 30-minute-thermal-shocks

**> Security :**

- Possibility to parameter the periodical flushing in term of frequency or flow time
- The solenoid valve closes automatically if the battery runs out or the sensor is damaged

**> Delivered with :**

- 1/2" hoses with revolving nuts
- MM 1/2" (15x21) straight stop valves and 250 micron filters
- Fastening screws and instruction manual

**> Standards & approvals :**

- Brass body in accordance with EN 1982, EN 12164, EN 12165
- Chrome-plated surface treatment in accordance with EN 12540
- 200-hour neutral salt spray resistant (NSS) in accordance with ISO 9227

Ce document n'est pas contractuel ; nous nous réservons le droit de modifier les caractéristiques de nos produits sans préavis. Toutes nos marques et tous modèles sont déposés.

