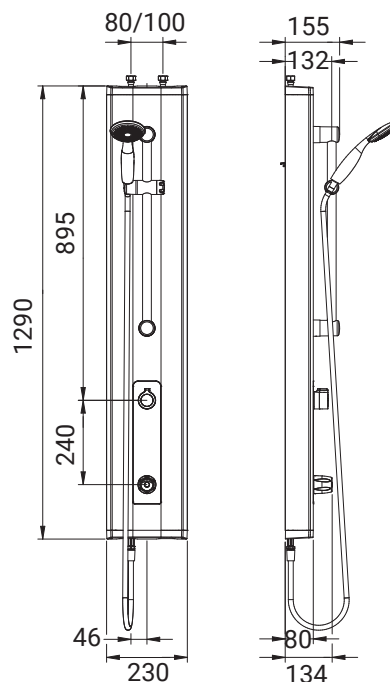


Range: PRESTOTEM 2

Ref: 88856 - Dual control shower panel and MASTERMIX® thermostatic tap, healthcare version, hand-held shower



> Working pressure :

- 1 to 5 bar

> Flow :

- 8 l/min pre-fixed by integrated flow limiter at 3 bar. The maximum flow rate can be adjusted by flow limiter device.
- Hand-held shower on rail with chrome plated slide

> Hydraulic supply :

- G 1/2" (15x21), top or rear water inlet. For rear water inlet, we recommend to add the adaptation kit under the reference 91026
- On 1/2 turn tap with ceramic cartridges and flow limiter, then on EN 1111 thermostatic mixer tap with Mastermix technologie integrated

> Material :

- Anodised aluminium extruded section (2.5mm thickness)
- Aluminium removable valve plate, painted RAL 7005 colour
- High resistance RAL 7005 coloured ABS covers
- Hoses : stainless steel braid, tested for disinfection cycle according to the Tech 15 of NF077

> Functioning :

- Wide opening panel without the need to dismantle from the wall and shower taps on a removable valve plate

> Thermal resistance :

- Resistant to a temperature of 70°C during 30 minutes (for 20 cycles) in case of thermal shocks

> Security :

- WATER NETWORKING SECURITY : no cross-connection between hot water and cold water (unique Mastermix technology)
- ANTI-SCALDING SAFETY : flow is immediately stopped if the cold water or hot water is cut off, compliant to French norm EN1111.
- Temperature knob with dual temperature limiter 38°C and 41°C. Safety temperature unlocking for thermal shock, and accessible only by technical staff, without dismantling the knob

> Delivered with :

- 1/2" hoses with revolving nuts
- MM 1/2" (15x21) straight stop valves and 250 micron filters
- Fastening screws
- Instruction manual

> Standards & approvals :

- Brass body in accordance with EN 1982, EN 12164, EN 12165
- Chrome-plated surface treatment in accordance with EN 12540
- 200-hour neutral salt spray resistant (NSS) in accordance ISO 9227

