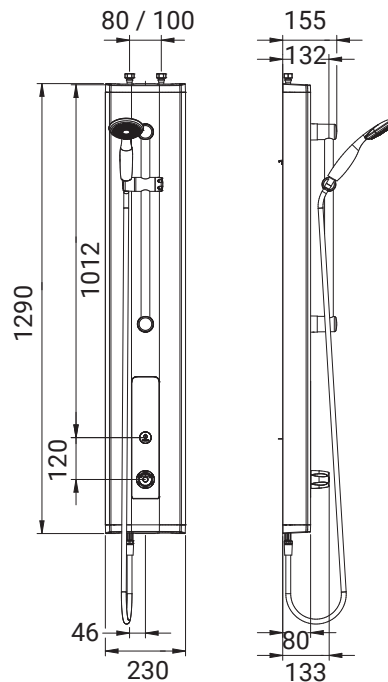


**Range:** PRESTOTEM 2®

**Ref:** 88870 - Shower panel with TOUCH® and standard thermostatic mixer tap, hand-held shower



**> Working pressure:**

- 1 to 5 bar

**> Flow rate:**

- 6l/min at 3 bar with integrated flow limiter
- Anti-water-hammering device
- Hand-held shower on rail with chrome plated slide

**> Flow time:**

- 30 seconds (adjustable)
- PRESTO TOUCH® sensitive switch suitable for the elderly, children and disabled people
- Start / Stop function

**> Hydraulic supply:**

- G 1/2" (15x21), top or rear water inlet. For rear water inlet, we recommend to add the adaptation kit under the reference 91026.
- PRESTO TOUCH® tapware and EN 1111 thermostatic mixer tap (NF check valves)
- Modèle avec pile lithium 6 volts type CRP2 dans boîtier intégré dans le corps du panneau

**> Power supply:**

- 6 V Lithium battery type CRP2 in a case integrated inside the panel

**> Material and finish:**

- Anodised aluminium extruded section (2.5mm thickness)
- Aluminium removable valve plate, painted RAL 7005 colour
- High resistance RAL 7005 coloured ABS covers

**> Functioning:**

- Wide opening panel without the need to dismantle from the wall and shower taps on a removable valve plate

**> Thermal resistance :**

- Resistant to a temperature of 70°C during 30 minutes (for 20 cycles) in case of thermal shocks

**> Security:**

- Automatic shutdown of solenoid valve in case of low battery or sensor damage
- Anti-scalding safety: flow is immediately stopped if the cold water or hot water is cut off, compliant to French norm EN1111.
- 30seconds duty flush every 24h after last use, limiting the bacterial growth (Legionella, Pseudomonas...) and adjustable by TOUCH button configuration.
- Integrated temperature switch limiter, pre-fixed 38°C maximum.

**> Delivered with:**

- G 1/2" (15x21) hoses with revolving nuts
- MM 1/2" (15x21) straight stop valves and 250 micron filters
- Fastening screws
- Instruction manual

**> Standards & approvals :**

- Brass body in accordance with EN 1982, EN 12164, EN 12165
- Chrome-plated surface treatment in accordance with EN 12540
- 200-hour neutral salt spray resistant (NSS) in accordance with ISO 9227

Ce document n'est pas contractuel ; nous nous réservons le droit de modifier les caractéristiques de nos produits sans préavis. Toutes nos marques et tous modèles sont déposés.

