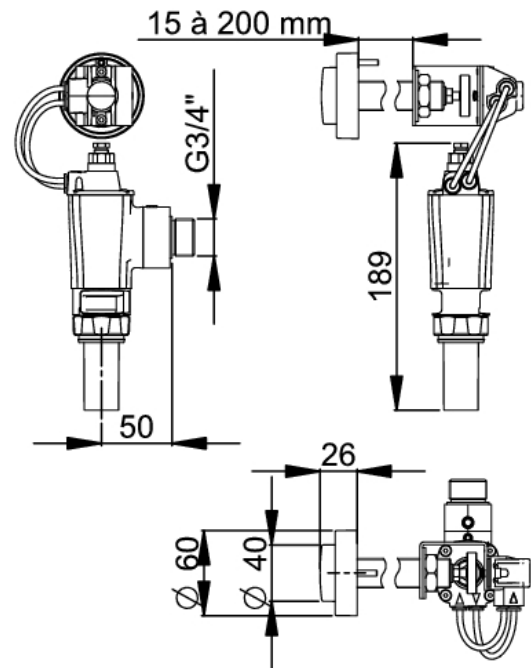


**Range :** Flush valve for toilet with remote control

**Ref :** 14260 - PRESTO 1000 XL TC Induct mounting



> **Working pressure :**

- 1 to 5 bar

> **Volume of water delivered :**

- Adjustable from 6 to 9 l
- Anti-water-hammering design
- Automatic 1 l/s flow limiter for a constant flow from 1.2 to 4 bar dynamic working pressure

> **Flow time :**

- Around 6 to 9 seconds

> **Hydraulic supply :**

- Inlet at 90°, M G 3/4" (20x27)
- Outlet connection on flush pipe Ø 28 mm

> **Material and colour finish :**

- Crude brass body and stop valve
- Remote control push button made in Brass chrome plated

> **Security :**

- Anti-siphonic device
- Patented anti-blocking "S" system to avoid the water to flow continuously

> **Delivered with :**

- 1 Ball valve
- 1 Remote control for induct mounting 15 to 200mm with clamping nuts
- 1 PVC angled pipe
- 1 Nozzle
- 1 Instruction manual

> **Standards & approvals :**

- Acoustic class II
- Brass body in accordance with EN 1982, EN 12164, EN 12165
- Molded chrome-plated body in accordance with EN 12540
- 200-hour neutral salt spray resistant (NSS) in accordance with ISO 9227

This document is not contractual. We reserve the right to modify the characteristics of our products without notice in advance. All our brands and models are registered trade marks.

