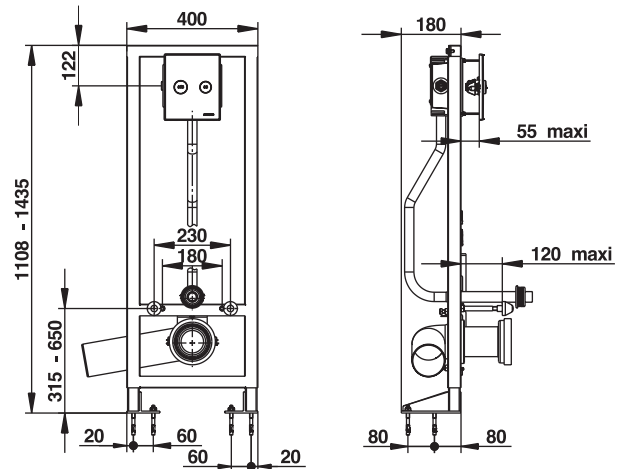


**Range:** SELF-SUPPORTING MOUNTING FRAME WITH DIRECT FLUSH

**Ref:** 18460 - Self-supporting mounting frame for direct Dual flush with brushed chrome-plated front plate



#### > Working pressure :

- 1 to 5 bar

#### > Discharge volume per flush :

- High volume : from 6 to 9 litres, adjustable with wrench
- Low volume : from 2.5 to 5 litres, adjustable by the slider on the front plate
- Anti-water-hammering device
- Automatic 1 l/s flow regulator from 1.2 to 4 bar dynamic working pressure

#### > Hydraulic supply :

- Right or left square M G3/4" (20x27)
- Outlet connection on flush pipe Ø 28mm

#### > Material and colour finish :

- 60µ epoxy coated soldered steel mounting frame
- Galvanized legs and floor fixing plates
- Brass body flush valve
- Brushed chrome-plated front plate

#### > Security :

- Patented anti-blocking "S" system to avoid the water to flow continuously
- Vacuum breaker device prevents the contamination of the water network from polluted water backflow

#### > Delivered with :

- 1 Flush valve with stop valve integrated
- 1 Brass coupling nut Male Female 3/4" (20x27)
- 1 PVC angle tube Ø 32 mm and 1 junction nozzle male 50mm
- 1 Extended straight PE tube 100 mm with adapter sleeve for connection to the bowl
- 1 WC outlet angle PVC pipe dia. 100 mm
- Screw and dowel for toilet bowl fixing

#### > Standards & approvals :

- Acoustic class II
- Brass body in accordance with EN 1982, EN 12164, EN 12165
- Molded chrome-plated front plate in accordance with EN 12540
- 200-hour neutral salt spray resistant (NSS) in accordance with ISO 9227

