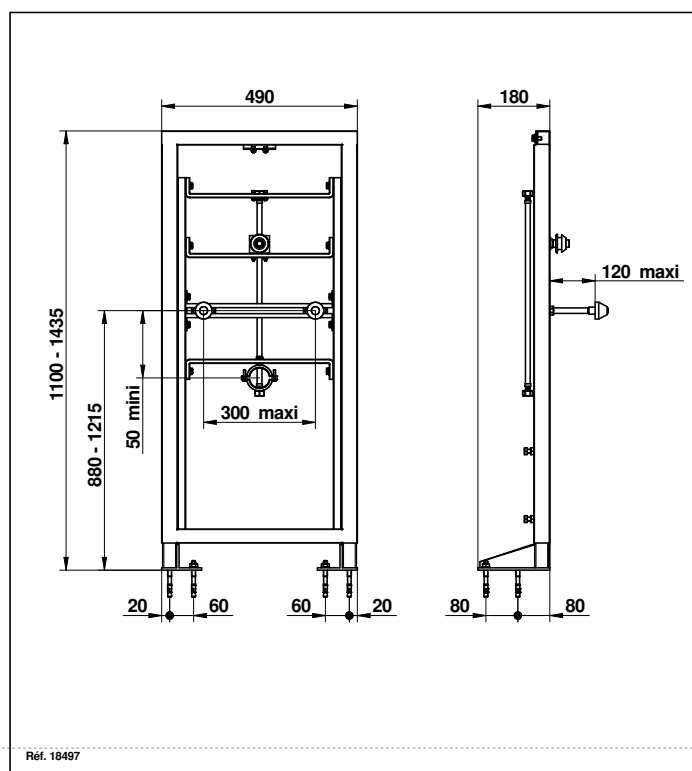


Range: Ready-to-install self-supporting mounting frame for urinal

Ref: 18497 - Support frame without tap for SENSAO 8100N/8300N/8500N/8600N



> Hydraulic supply :

- M G 1/2" (15x21)

> Material and colour finish :

- Mounting frame made of 40mm soldered iron protected by a 60 micron epoxy powdering
- Galvanized Legs and floor fixing plates
- Brushed stainless steel vandal-proof front panel 160x160

> Delivered with :

- 6 galvanized anchor pins, M8 supplied
- 2 brackets for wall fixing, length: 180 mm, supplied with screw: 6.3X45 and wall dowel (nylon D8)

> Standards & approvals :

- Molded chrome-plated body in accordance with EN 12540
- 200-hour neutral salt spray resistant (NSS) in accordance with ISO 9227

