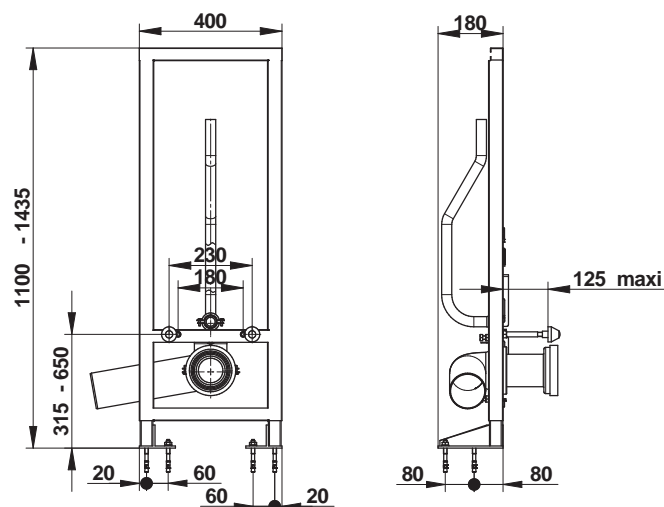


Range: Self-supporting mounting frame

Ref: 18552 - Self-supporting mounting frame for P1000 XL



> Description:

- Self-supporting mounting frame to use with P1000XL 14250, 14251, 14300, 14303, 14301, 55434, 55432 (and 55500, 55501 until end of stock)

> Material and colour finish :

- 60 micron Epoxy coated soldered Steel mounting frame
- Galvanized Legs and floor fixing plate

> Delivered with:

- 1 PVC angle tube Ø 32 mm and 1 junction nozzle male 50mm
- 1 Extended straight PE tube 100 mm with adapter sleeve for connection to the bowl
- WC outlet angle PVC pipe dia. 100 mm
- Suitable for flushing valve
- Screw and dowel for toilet bowl fixing

> Standards & approvals:

- 200-hour neutral salt spray resistant (NSS) in accordance with ISO 9227