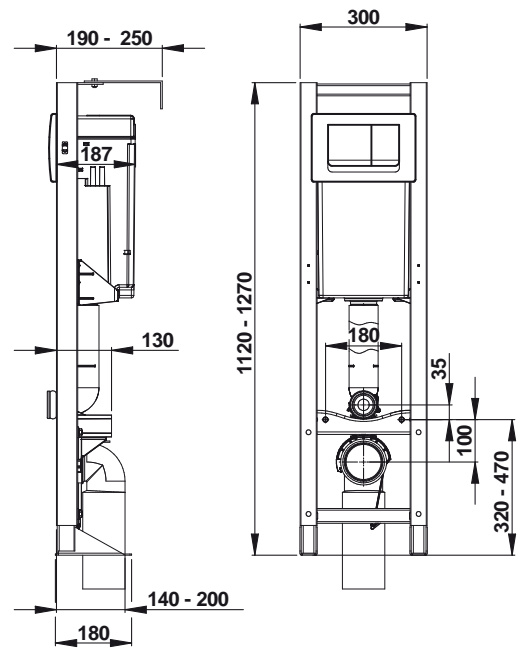


**Range:** SELF-SUPPORTING MOUNTING FRAME WITH CISTERN

**Ref:** 18594 - Self-supporting mounting frame with cistern and dual volume control



**> Working pressure :**

- 1 to 5 bar

**> Flow :**

- Commande double volume : 3/6 L

**> Hydraulic supply :**

- M G 1/2" (15x21)

**> Material and colour finish :**

- 60µ epoxy coated soldered steel mounting frame
- Galvanized legs and floor fixing plates
- Bright chrome plated ABS front plate

**> Delivered with :**

- Pleat protection cover, can be cut to length
- Supply pipe and junction nozzle M50mm
- 100 mm PVC angle toilet outlet pipe
- Screw and dowel for toilet bowl fixing

**> Standards & approvals :**

- Acoustic class I
- 200-hour neutral salt spray resistant (NSS) in accordance with ISO 9227
- Mounting frame compliant with NF XP D12208 pour une résistance à une charge de 400kg

