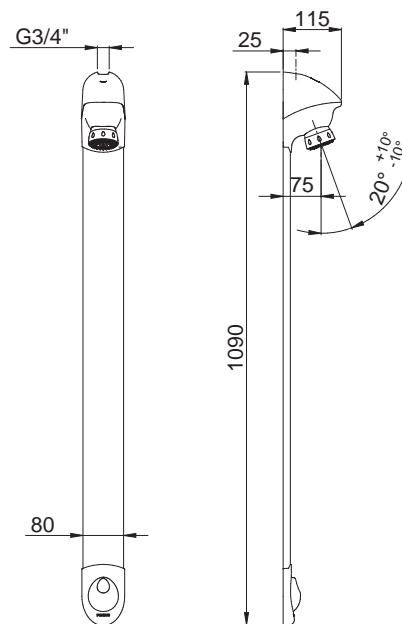


Range: Timed flow single tap for shower

Ref: 27443 - PRESTO DL 400 SE® single tap exposed mounting



> Working pressure :

- 1 to 5 bar - 14.5 à 72.5 PSI

> Flow :

- 8 l/mn at 3 bar with integrated flow limiter - 2.1 GPM à 43.5 PSI
- Anti-water-hammering device
- Fixed shower head with anti-limescale spikes

> Flow time :

- 30 seconds (± 5 sec.)

> Hydraulic supply :

- F 3/4" NPT top water inlet

> Material and colour finish :

- Injected molded metal body
- Extruded cover in aluminium (magnesium-silicon alloy 6060)

> Thermal resistance :

- Resistant to a temperature of 75°C/167°F for 30-minute-thermal-shocks

> Security :

- Patented anti-blocking "S" system to avoid the water to flow continuously

> Delivered with :

- VBA screws and nylon plugs
- Seal
- Instruction manual

> Standards & approvals :

- CSA B125.1 / ASME A112.18.1
- Acoustic class I
- Molded chrome-plated body in accordance with EN 12540
- 200-hour neutral salt spray resistant (NSS) in accordance with ISO 9227

