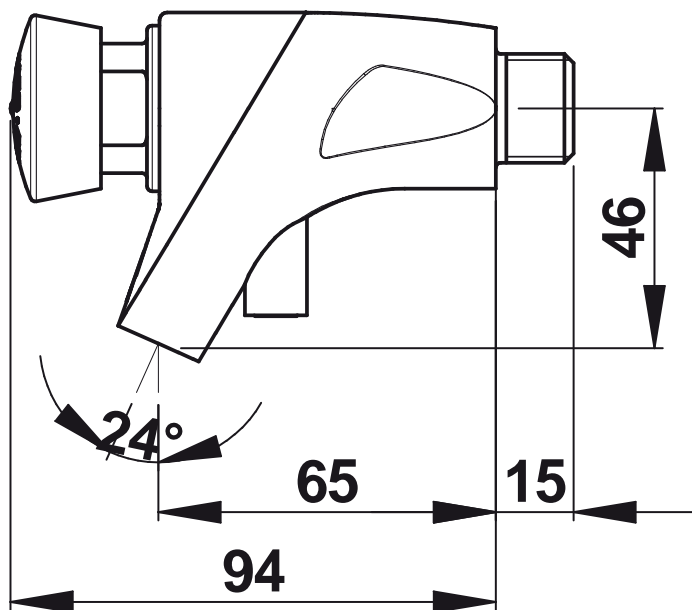


Range : Single wall-mounted tap

Ref : 33902 - PRESTO 504 S, anti-blocking "S" system, antifreeze



> Working pressure :

- 1 to 5 bar

> Flow :

- 3 l/min at 3 bar - 4-position flow adjustment device
- Anti-water-hammering design

> Flow time :

- 15 seconds (± 5 sec.)

> Hydraulic supply :

- M G 1/2" (15x21) - Cold water

> Thermal resistance :

- Resistant to a temperature of 75°C for 30-minute-thermal-shocks

> Security :

- Interchangeable head and non-turnable push-button
- Patented anti-blocking "S" system to avoid the water to flow continuously
- Non-removable, wear-proof coloured marker

> Delivered with :

- Instruction manual

> Standards & approvals :

- Acoustic class II
- Brass body in accordance with EN 1982, EN 12164, EN 12156
- Molded chrome-plated body in accordance with EN 12540
- 200-hour neutral salt spray resistant (NSS) in accordance with ISO 9227

This document is not contractual. We reserve the right to modify the characteristics of our products without notice in advance. All our brands and models are registered trade marks.

