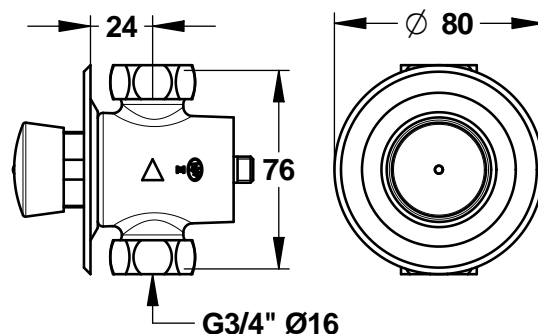


Range: Single tap for shower

Ref: 38122 - PRESTO 50 PANEL



> Working pressure :

- 1 to 5 bar

> Flow :

- 8l/min at 3 bar with integrated flow limiter
- Flow rate control through a ring nut
- Anti-water-hammering design

> Flow time :

- 30 seconds (± 5 sec.)

> Hydraulic supply :

- M G 3/4" (20x27) - Cold or premixed water

> Thermal resistance :

- Resistant to a temperature of 75°C for 30-minute-thermal-shocks

> Security :

- Non-turnable push button
- Non-removable, wear-proof red marker

> Delivered with :

- 1 Flat gasket
- 1 Filter gasket
- 2 Union nuts 3/4" (20x27) for 14x16 mm tube
- 1 Rosace de finition pour montage sur panneau

> Standards & approvals :

- Acoustic class II
- Brass body in accordance with EN 1982, EN 12164, EN 12165
- Molded chrome-plated body in accordance with EN 12540
- 200-hour neutral salt spray resistant (NSS) in accordance with ISO 9227

