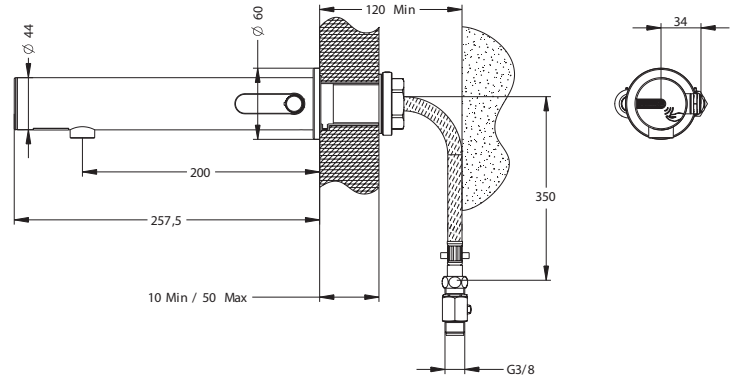
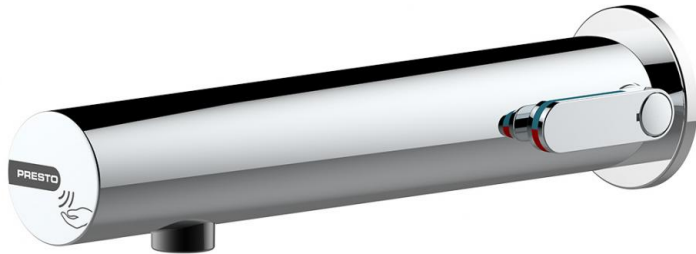


Range: PRESTO LINEA®

Ref: 57104 - Wall-mounted sensor mixer, cross-partition, mains 230V, 3l/min Chrome



## > Working pressure

- 1 to 5 bar

## > Function

- Starts and stops automatically by hand detection
- Sensor trigger suitable for PRM, elderly, children and disabled people

## > Flow

- 3l/min at 3 bar with integrated regulated anti-limescale aerator

## > Hydraulic supply

- F G 3/8" (12x17) hoses

## > Power supply

- Mains-operated with 230 V AC / 7 V DC transformer in IP65 waterproof case

## > Material and colour finish

- External brass body: chrome-plated
- Molded metal cover: chrome-plated

## > Thermal resistance

- Resistant to a temperature of 75°C for 30-minute-thermal-shocks

## > Security

- Anti-overflow security time set to 30 seconds preventing the water to flow continuously
- Automatic shutdown of solenoid valve in case of power failure or sensor damage
- Duty flush 30 sec every 24h after last use (adjustable flow time and frequency with PRESTOCOM toolkit: <https://www.presto.fr/apropos/prestocom/>)
- Smooth inner body for limiting biofilm binding and bacterial development
- Maximum temperature limitation with adjustable temperature stop

## > Installation

- Recommended installation height : 30 cm above the bottom of the washbasin
- The valve shall be installed on a drywall < 50mm: plaster board, wood

## > Delivered with

- 1 Brass clamping nut, 1 Gasket and 1 Washer
- 1 wall rose
- 2 PEX Hoses with revolving nuts, NF check valves and filter gaskets
- 2 M M G 3/8" (12x17) Stop valves
- 1 Self-adhesive sticker
- 1 extension cord 1m for transformer
- 1 Instruction manual

## > Standards & approvals

- Brass body in accordance with NF EN1982, EN12164, NF EN 12165,
- UBA list compliant
- 200-hour neutral salt spray resistant (NSS) in accordance with NF ISO 9227

