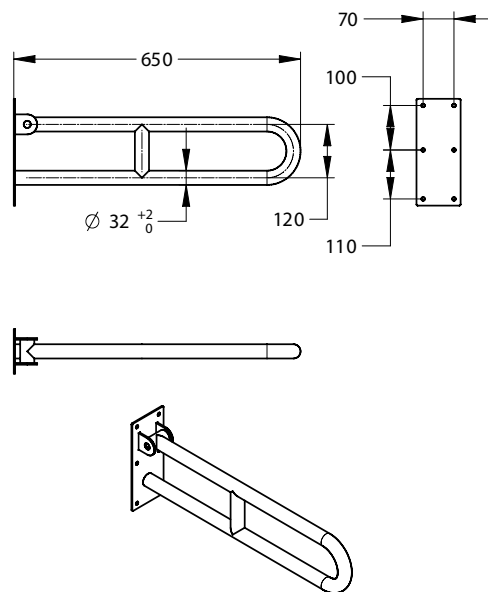
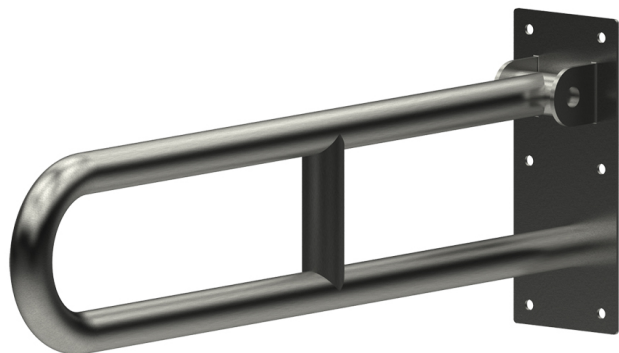


Range: Grab bars and support rail

Ref: 60326 - Lifting bar diameter 32 mm L = 650 mm



> Dimensions:

- Diameter: 32 mm
- Length: 650 mm

> Material and finish color:

- 304 brushed stainless steel

> Delivered with :

- Stainless steel escutcheons for concealing fixing screws

> Standards / Approvals:

- Resistance to neutral salt spray (NSS): 200 h according to NF ISO 9227